



**Perkins
engines**

NAP000265 PB
ISSUE 1
OCTOBER, 1981

**PERKINS ENGINES, INC.
NORTH AMERICA VERSION**

over haul

4.108 M





INSTRUCTIONS - CORE & OPTION PARTS BOOK

The principles of using the Core & Option Parts Book are as follows:

1. One must first consult the Build List Section for the breakdown on the specific list. This breakdown has been layed out with the core initially, which generally has six sections, followed by the options, accessories and gasket sets.

Within each breakdown, a brief summary of the components is given for each core, option and accessory pack. Each pack has the page number on which you can find that specific breakdown.

2. Once the core, option or accessory pack number has been determined, it is then necessary to go to the applicable page. Each page is also marked at the top with its C & O pack (i.e. AFNT00175).
3. The illustration for each specific page is opposite the page. The illustrations shown are as exact as possible. If a specific part is not shown, it is either supplied by the OEM or not required on this engine.
4. The layout of the data shows the illustration number first, followed by the part number. The third column will sometimes list a number (i.e. #10) next to the part number (item #11). This signifies that this part (#11) is included in the assembly (#10). The fourth column will list a part number when that particular item is not serviced and you must purchase the assembly or repair kit. In this case, column #2 (part number) will be blank. The fifth column lists the quantity and the sixth column lists the description.

ACHE0045	CYLINDER BLOCK BLOC - CYLINDRES BLOQUE - CILINDROS	1
ACHE0045	CRANKSHAFT, PISTONS, CONNECTING RODS VILEBREQUIN, PISTONS ET BIELLES CIGUENAL, PISTONES Y BIELAS	2
ACHE0045	CYLINDER HEAD CULASSE CULATA	3
ACHE0045	ROCKER SHAFT AXE DES CULBUTEURS EJE DE BALANCIN	4
ACHE0045	TIMING GEAR & CAMSHAFT DISTRIBUTION ET ARBRE A CAMES DISTRIBUCION Y EJE DE LEVAS	5
ACHE0045	LUBRICATING OIL PUMP & DELIVERY HOUSING POMPE A HUILE ET CLAPET DE DECHARGE BOMBA DEL ACEITE Y CARTER DE ALIMENTACION	6
AFHE00855	FUEL INJECTION EQUIPMENT (DIESEL) EQUIPEMENT D'INJECTION (DIESEL) EQUIPO DE INYECCION DE COMBUSTIBLE (DIESEL)	7
BDNE00010	PTO CLUTCH & GEARBOX PRISE DE FORCE EMBRAYAGE ET BOITE VITESSES EMBRAGUE DE LA T DE F Y CAJA DE CAMBOIS	8
BDNE00011	PTO CLUTCH AND GEARBOX PRISE DE FORCE EMBRAYAGE ET BOITE VITESSES EMBRAGUE DE LA T DE F Y CAJA DE CAMBOIS	9
CDHE00320	FLYWHEEL HOUSING CARTER VOLANT CARTER DEL VOLANTE	10

DDHE00377	FLYWHEEL & STARTER RING VOLANT ET COURONNE DEMARRAGE VOLANTE Y ARO DE ARRANQUE	11
EDNE00032	STARTER MOTOR DEMARREUR ARRANCADOR	12
GBHE00497	LUBRICATING OIL SUMP CARTER D'HUILE CARTER DEL ACEITE LUBRICANTE	13
GBNE00020	LUBRICATING OIL SUMP CARTER D'HUILE CARTER DEL ACEITE LUBRICANTE	14
HBHE00596	LUBRICATING OIL FILLER & BREATHER REMPLEUSEUR D'HUILE ET RENIFLARD RENIFLARD Y LLENADO DEL ACEITE LUBRICANTE	15
JBNE00026	LUBRICATING OIL FILTER AND INTEGRAL OIL COOLER FILTRE A HUILE ET REFROIDISSEUR D'HUILE FILTRO Y ENGRIADOR INTEGRAL	16
JBNE00026	LUBRICATING OIL FILTER AND INTEGRAL OIL COOLER FILTRE A HUILE ET REFROIDISSEUR D'HUILE FILTRO Y ENGRIADOR INTEGRAL	17
KBHE00296	FRONT END DRIVE INPUT PUISSANCE ABSORBEE A L'AVANT ENTRADA DEL MANDO DELANTERO	18
KDHE00042	FRONT END DRIVE OUTPUT PUISSANCE DEVELOPEE A L'AVANT SALIDA DEL MANDO DELANTERO	19
LBNE00034	WATER PUMP, HEADER TANK, HEAT EXCHANGER POMPE A EAU, TETE RESEVOIR, REFROIDISSEUR BOMBA DEL AGUA, CULATA TANQUE, ENFRIADOR	20
LBNE00034	WATER PUMP, HEADER TANK, HEAT EXCHANGER POMPE A EAU, TETE RESEVOIR, REFROIDISSEUR BOMBA DEL AGUA, CULATA TANQUE, ENFRIADOR	21

LBNE00034	WATER PUMP, HEADER TANK, HEAT EXCHANGER POMPE A EAU, TETE RESEVOIR, REFROIDISSEUR BOMBA DEL AGUA, CULATA TANQUE, ENFRIADOR	22
NDNE00053	ALTERNATOR & GENERATOR ALTERNATEUR ET DYNAMO ALTERNADOR Y DINAMO	23
QBNE00003	GEAR DRIVEN SEA WATER PUMP PIGNON ENTRAINEMENT POMPE A EAU DE MER BOMBA PARA AGUA DEL MAR CON ENGRANAJES	24
TBHE00296	INDUCTION MANIFOLD COLLECTEUR D'ADMISSION MULTIPLE DE ADMISION	25
TDHE00083	AIR CLEANER & RESTRICTION INDICATOR FILTRE A AIR ET INDICATEUR COLMATAGE FILTRO DEL AIR E INDICADOR DE OBSTRUCCION	26
UBHE00192	EXHAUST MANIFOLD COLLECTEUR ECHAPPEMENT MULTIPLE DE ESCAPE	27
UDHE00139	EXHAUST OUTLET FLANGE BRIDE DE SORTIE ECHAPPEMENT BRIDE DE SALIDA DE ESCAPE	28
VBHE00588	LOW PRESSURE FUEL SYSTEM CIRCUIT CARBURANT BASSE PRESSION SISTEMA DE COMBUSTIBLE A BAJA PRESION	29
VBHE00588	LOW PRESSURE FUEL SYSTEM CIRCUIT CARBURANT BASSE PRESSION SISTEMA DE COMBUSTIBLE A BAJA PRESION	30
VBHE00588	LOW PRESSURE FUEL SYSTEM CIRCUIT CARBURANT BASSE PRESSION SISTEMA DE COMBUSTIBLE A BAJA PRESION	31
WDHE00024	COLD START SYSTEM DIPOSITIF DEPART A FROID SISTEMA DE ARRANQUE EN TIEMPO FRIO	32

XBHE00143	ENGINE LIFTING LEVAGE MOTEUR PLACA LEVANTADORAS DEL MOTOR	33
ZANE00022	THROTTLE & STOP CONTROLS CONTROLE ACCELERATION ET STOP MANDOS DEL ACELERADOR Y PARADA	34
ZANE00023	THROTTLE & STOP CONTROLS CONTROLE ACCELERATION ET STOP MANDOS DEL ACELERADOR Y PARADA	35
ZCNE00015	MOUNTINGS (FRONT & REAR) SUPPORTS (AV. ET AR.) FIJACIONES (DELANTERA Y TRASERA)	36
ZJHE00013	LUBRICATING OIL PRESSURE SWITCH & GAUGE MANO, CONTACT PRESSION D'HUILE ET MANOMETRE TRANSMISOR E INDICADOR DE LA PRESION	37
ZJNE00010	LUBRICATING OIL PRESSURE SWITCH & GAUGE MANO, CONTACT PRESSION D'HUILE ET MANOMETRE TRANSMISOR E INDICADOR DE LA PRESION	38
ZLNE00008	TEMPERATURE GAUGE & SENDER MANOMETRE TEMPERATURE ET TRANSMETTEUR INDICADOR Y TRANSMISOR DE TEMPERATURA	39
ZMHE00161	CYLINDER BLOCK WATER DRAIN BLOC - CYLINDRES ROBINET BLOQUE - CILINDROS AGUJA ENDICADORA	40
ZQHE00352	TACHOMETER & HOUR RECORDER TOURS ET COMPTEUR D'HEURES TAQUIMETRO Y CONTADOR DE HORAS	41
ZQNE00013	TACHOMETER & HOUR RECORDER TOURS ET COMPTEUR D'HEURES TAQUIMETRO Y CONTADOR DE HORAS	42
ZVHE00194	FUEL PRE-LIFT PUMP CIRCUIT CARBURANT AVANT LA POMPE D'ALIMENTATION BOMBA PRE-ELEVADORA DE COMBUSTIBLE (SEPERADOR DE AGUA)	43

ZZNE00006	APPLICATIONS MISCELLANEOUS (WIRING HARNESS KIT) APPLICITONS DIVERSES (SYSTEM CABLAGE) EQUIPO MISCELANEO Y AUXILIAR (SISTEMA DE CABLE)	44
ZZNE00007	APPLICATIONS MISCELLANEOUS APPLICITONS DIVERSES EQUIPO MISCELANEO Y AUXILIAR	45
SACE00032	JOINTS & GASKETS - TOP SERVICE KIT JEU DE JOINTS - REVISION PARTIE HAUTE JUNTAS Y EMPAQUETADURAS - JUEGOS DE SERVICIO DE CULATA	46
SGBE00030	JOINTS & GASKETS - BOTTOM SERVICE KIT JEU DE JOINTS-REVISION PARTIE BASSE JUNTAS Y EMPAQUETADURAS-JUEGO DE SERVICIO DEL BLOQUE	47

NUMERICAL INDEX

PART NO.	PAGE	PART NO.	PAGE	PART NO.	PAGE	PART NO.	PAGE
32351	40	0170052	41, 42	0576112	31	0748415	23
33435	7	0180028	13	0576113	40	0748524	10
37880	7	0180063	15	0576117	14	0748527	10
55286	4	0180065	24, 24	0576150	35	0770101	41, 42
58529	4	0180066	17, 17, 21, 22	0576151	4	0780240	29
68144	3	0180072	22	0576302	4, 4	0780261	4
68383	2	0180166	16	0610011	6	0780310	13
83417	2	0180637	7	0610042	34, 35	0825219	4
84418	2	0200044	21, 21	0610837	34	0826201	5
84953	2	0200086	22	0623293	6	0826209	20
84992	2	0200092	24	0640116	3	0826232	7
85037	2	0200758	43	0650204	30, 43	0826244	7
85786	46	0201297	27	0650507	4	0826248	18
89029	20	0201318	4	0650540	3, 27	0826249	15
90990	1	0201397	31	0650593	13	0826250	4
92454	47	0230001	3	0650594	16, 32, 37	0826260	27
92999	4	0240568	26	0650692	1, 3	0826268	24
93651	1	0350014	1	0650710	1	0826274	7
84992A	2	0350018	10	0650710	1	0826477	28
84992B	2	0350020	10	0650713	3	0826512	20
84992C	2	0490656	27	0650717	1	0826614	17
85037A	2	0490685	7	0650777	1	0827602	13
85037B	2	0490724	15	0700279	5	0827813	8
85037C	2	0490740	1	0720790	4	0910061	3
0050132	4	0490775	13	0726264	7	0910064	3
0050358	41, 42	0490786	30, 43	0726403	13	0920003	4, 4, 5, 7, 17, 27
0095314	2	0500006	2, 18	0730098	5	0920004	21, 23, 28, 30
0095315	7	0500133	9	0730116	15	0920022	13, 44
0095344	31	0560244	13	0745180	11	0920024	35
0096231	25	0566002	4, 4	0746052	5	0920051	12
0096233	25	0566003	31, 43	0746201	6	0920052	5, 8, 21, 35
0096234	20	0566004	40	0746253	13	0920053	1, 1, 5, 7, 13, 15, 17, 18, 20, 21, 22, 23, 24, 25, 36, 44
0096236	13, 20, 23	0566007	6	0746254	1, 15, 23, 36		
0096238	1	0566008	14	0746255	5, 5, 13		
0096240	25	0571138	43	0746259	1	0920054	8, 9, 10, 12, 16, 20, 23, 30, 31, 33, 35
0096431	23	0571351	4, 4	0746260	13		
0096441	23	0571352	6	0746355	5	0920055	16, 16, 17
0096445	21	0571415	22	0746424	10	0920112	30
0096634	16	0576001	5	0746451	31	0920113	7
0102202	4	0576002	5, 7, 13, 15, 20, 23, 24, 36	0746452	16, 33	0920146	31
0150129	3			0746454	10, 30, 35	0920154	43
0150143	3	0576051	8, 20, 23	0746457	9	0920468	23
0150144	6	0576054	16, 17	0746461	5	0920484	25
0170033	4	0576064	27	0748353	21	0920485	4
0170046	20	0576065	28	0748411	17, 21, 44	0920497	23, 23
0170051	20	0576102	15	0748413	22	0921116	15

NUMERICAL INDEX

PART NO.	PAGE	PART NO.	PAGE	PART NO.	PAGE	PART NO.	PAGE
0921117	3	NA000187	23	NA003485	16	31134145	2
0921118	2	NA000204	34	NA003607	44	31145821	20
0921120	2	NA000208	44	NA003615	44	31146741	9
0921122	4	NA000209	44	NA003670	12	31147637	18
0921159	5	NA000257	21	NA003671	12	31161153	11
0921176	7	NA000258	21	NA003765	44	31171245	2
0921249	3	NA000349	36	NA004113	44	31171541	5
0941044	5	NA000467	23	NA004485	21	31171542	5
0996525	34	NA000474	38, 39, 44	NA004609	45	31358117	1
0999659	13	NA000475	44	NA004615	42	31415303	5
2116053	5	NA000541	21	NA004619	17	31434152	4
2134177	12	NA000542	21	NA004632	35	31434306	4
2172692	7	NA000617	8	NA004633	35	31718104	7
2182003	44	NA000623	12	NA004634	35	31718105	7
2184463	16	NA000711	42	NA004678	17	31734135	11
2211401	7	NA001073	24	NA004843	45	31742128	6
2222107	8	NA001074	21	NA004844	45	31744129	3
2238151	35	NA001076	22	NA004847	45	31745118	3
2411141	43	NA001077	22	NA004848	45	31753114	34, 34
2415217	20	NA001078	22	NA004849	45	31788387	13
2417204	20	NA001080	22	NA004854	44	32114481	36
2431102	40	NA001081	22	NA005129	23	32114481	36
2431103	3	NA001082	16	NA005190	39	32114501	16
2431105	27	NA001083	16	NA900009	24	32162316	18
2431154	3	NA001085	16, 16	NA900010	24	32166216	1
2481897	26	NA001086	16	NA900011	24	32417114	41, 42
2485608	20	NA001087	17	NA900017	24	32461313	19
2487845	15	NA001090	17	NA900057	24	32524148	3
2487947	21	NA001091	17	NA900058	24	32712715	6
2488458	14	NA001330	21	NA900060	24	32726511	18
2511447	5	NA001370	24	NA900075	24	32811104	42
2513236	8	NA001397	22	NA900076	24	33115121	2
2641702	29	NA001406	22	NA900077	24	33115408	1
2644951	7	NA001486	16, 45	0921118A	2	33115411	3
2645559	7	NA001489	16	0921120A	2	33123411	3
2654403	16	NA001861	21	2131A008	23	33124119	18
2656088	43	NA001924	45	2134A006	23	33124424	3
2656613	30	NA001928	38	2134A008	23, 23	3313E001	3
2658201	43	NA002054	45	2314C044	23	33154118	24
2721124	2	NA003335	24	2318A207	23	33221115	29
2724436	5	NA003370	12	24870002	15	33221317	3
2871954	23	NA003442	44	26410096	29	33225412	31
NA000036	21	NA003443	44	26560014	30	33242409	40
NA000040	16, 16	NA003458	35	26560016	30	33261723	3
NA000041	21	NA003469	44	26560017	30	33286109	24
NA000043	16	NA003484	35	26561117	30	33426516	5

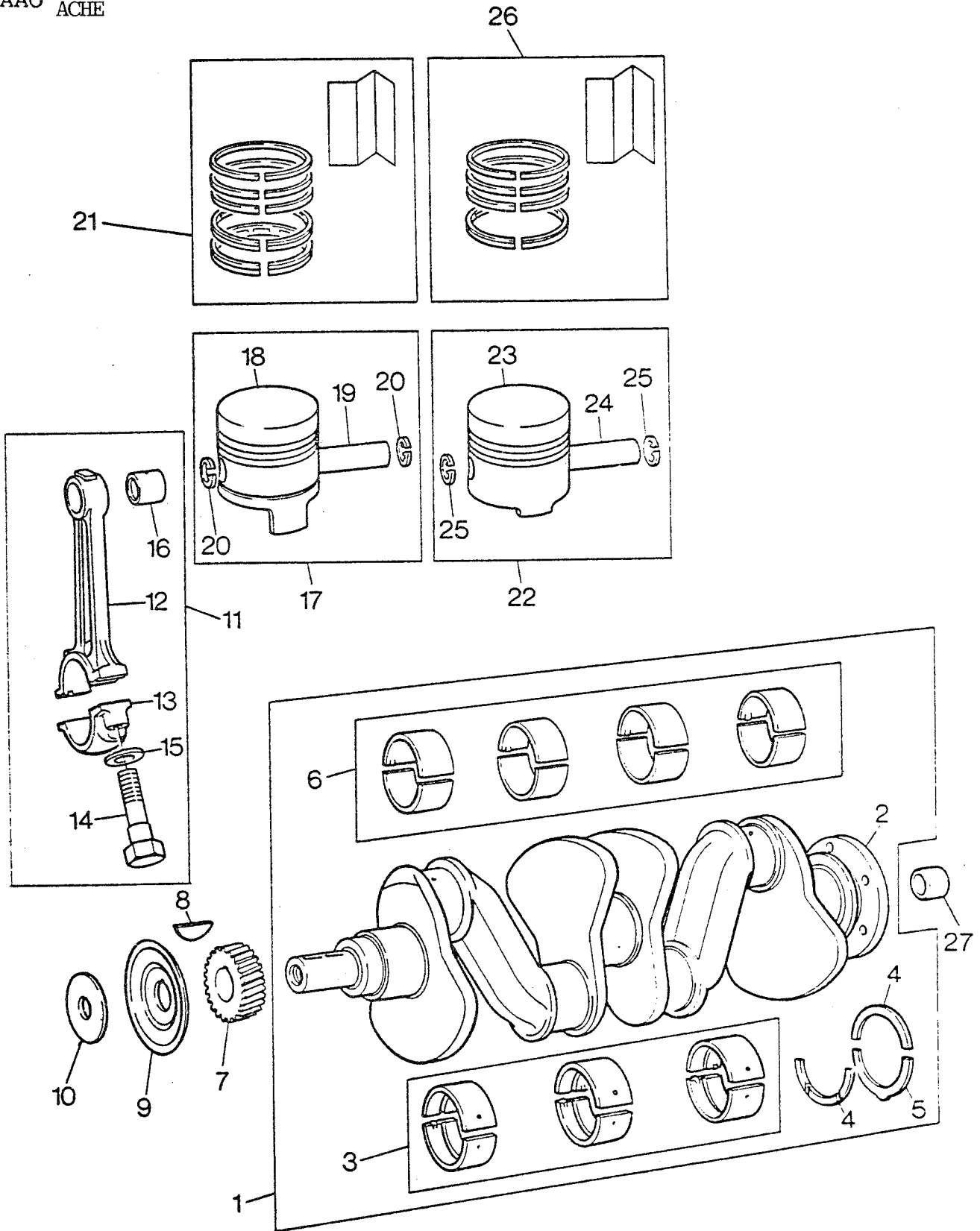
NUMERICAL INDEX

PART NO.	PAGE	PART NO.	PAGE	PART NO.	PAGE	PART NO.	PAGE
33472496	5	35772432	13	36826121	10	37554591	15
33473107	41	35844057	31	36833115	13	37586071	28
33474003	2	35847108	31	36834118	20	37586241	16
33531117	3	35847308	31	36846412	15	37586951	16
33532121	13	36151505	5, 5, 15, 18	36846415	25	37725448	13
33532128	31, 31	36151506	5	36851113	29	37764181	16
33533112	43, 43	36151507	6	36855108	28	37785211	27
33536459	32	36171304	13	36857107	10	37786664	25
33811112	31	36177427	33	36861446	21	38124242	36
33811113	31, 31	36178509	5	36862517	16, 16	38124243	36
33813313	20	36241316	29	36866421	20	38152107	34
33825411	24, 24	36243515	20	36866713	20	38162123	23
3438C001	31	36255538	33	36867115	10	41112744	11
34414122	4	36256717	1	36883107	1	41115036	5
34821428	15	36548423	23	37134901	10	41312449	20
35354263	7	36567426	14	37147021	10	41314089	6
35354264	7	36651119	31	37147101	8	41425781	5
35354355	7	36812134	1	37161105	5	41811027	13
35355268	7	36813145	5	37188171	15		
35587355	7	36826108	8	37443591	3		
35737198	13	36826114	1	37444693	12		

CYLINDER BLOCK
 BLOC - CYLINDRES
 BLOQUE - CILINDROS

1	93651		1	BLOCK ASSY	BLOC	BLOQUE
2	31358117	1	4	LINER	CHEMISE	CAMISA
3	0650710	1	3	PLUG	BOUCHON	TAPON ROSCADO
4	0650710	1	2	PLUG	BOUCHON	TAPON ROSCADO
5	0650692	1	1	PLUG	BOUCHON	TAPON ROSCADO
6	0350014	1	6	DOWEL	PLOT	CENTRAJE
7	32166216	1	6	SETSCREW	VIS	TORNILLO
8	33115408		6	SHIMWASHER	CALE	SUPLEMENTO
9	0650717		2	PLUG	BOUCHON	TAPON ROSCADO
10	0650777		1	PLUG	BOUCHON	TAPON ROSCADO
11	90990		1	HOUSING	CARTER	CARCASA
12		11 90990	1	HOUSING	CARTER	CARCASA
13		11 90990	1	HOUSING	CARTER	CARCASA
14	36883107	11	2	SEAL	BAGUE ETANCHEITE	RETEN
15	0096238	11	2	SCREW	VIS	TORNILLO
16	0920053	11	2	WASHER	RONDELLE	ARANDELA
17	36826114		1	JOINT	ARTICULATION	CRUCETA CJTO
18	0746259		6	SETSCREW	VIS	TORNILLO
19	0920053		6	WASHER	RONDELLE	ARANDELA
20	36256717		1	PLATE	PLAQUE	PLATO
21	0490740		1	JOINT	ARTICULATION	CRUCETA CJTO
22	0746254		4	SCREW	VIS	TORNILLO
23	0920053		4	WASHER	RONDELLE	ARANDELA
24	36812134		1	GASKET	JOINT	JUNTA

NAAO ACHE

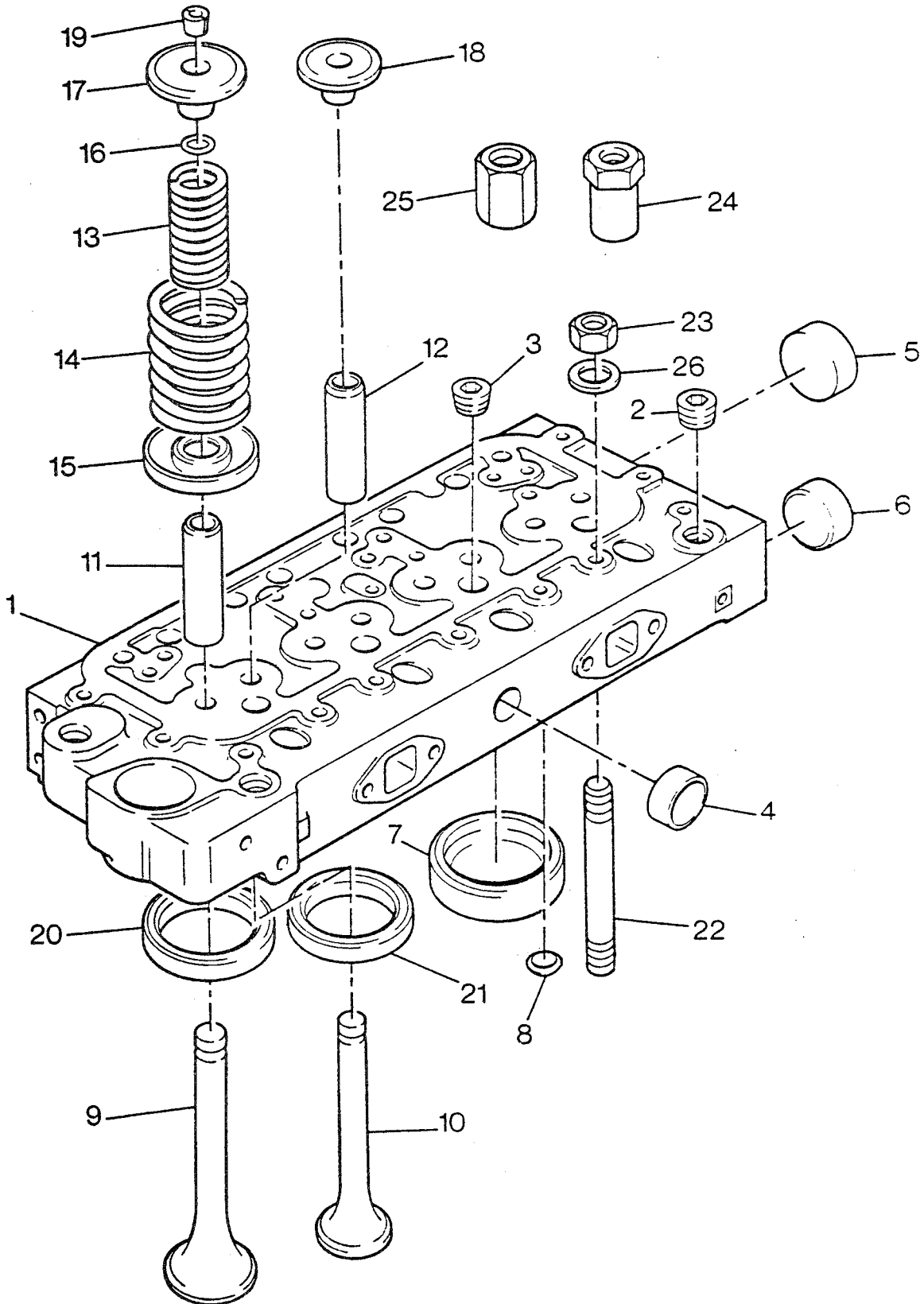


CRANKSHAFT, PISTONS, CONNECTING RODS
 VILEBREQUIN, PISTONS ET BIELLES
 CIGUENAL, PISTONES Y BIELAS

1	84418		1	CRANKSHAFT ASSY	VILEBREQUIN JUE	CIGUENAL KIT
2		1 84418	1	CRANKSHAFT ASSY	VILEBREQUIN JUE	CIGUENAL KIT
3	84992	1 MAIN	1	BEARINGS-MAIN	COUSSINET	RODAMIENTO
3	84992A	(-.010")	X	BEARINGS-MAIN	COUSSINET	RODAMIENTO
3	84992B	(-.020")	X	BEARINGS-MAIN	COUSSINET	RODAMIENTO
3	84992C	(-.030")	X	BEARINGS-MAIN	COUSSINET	RODAMIENTO
4	0921120	1	2	WASHER	RONDELLE	ARANDELA
4	0921120A	(+.007")	X	WASHER	RONDELLE	ARANDELA
5	0921118	1	1	WASHER	RONDELLE	ARANDELA
5	0921118A	(+.007")	X	WASHER	RONDELLE	ARANDELA
6	85037	1 ROD	1	BEARINGS-ROD	COUSSINET	RODAMIENTO
6	85037A	(-.010")	X	BEARINGS-ROD	COUSSINET	RODAMIENTO
6	85037B	(-.020")	X	BEARINGS-ROD	COUSSINET	RODAMIENTO
6	85037C	(-.030")	X	BEARINGS-ROD	COUSSINET	RODAMIENTO
7	31171245		1	GEAR	ENGRENAGE	ENGRANAJE
8	0500006		1	KEY	CLAVETTE	LLAVE
9	33474003		1	FLANGE	FLASQUE	PLETINA
11	83417		4	ROD	TRINGLE	VARILLA
12		11 83417	1	ROD	TRINGLE	VARILLA
13		11 83417	1	ROD	TRINGLE	VARILLA
14	0095314	11	2	BOLT	BOULON	TORNILLO PASANTE
15	33115121	11	2	WASHER	RONDELLE	ARANDELA
16	31134145	11	1	BUSHING	BAGUE	CASQUILLO
17	68383	PRE-TOPPED	4	PISTON ASSY	PISTON	PISTON
18		17 68383	1	PISTON ASSY	PISTON	PISTON
19		17 68383	1	PISTON ASSY	PISTON	PISTON
20	2721124	17	2	CIRCLIP	SEGMENT D'ARRET	CIRCLIP
21	41158087		4	RING	ANNEAU	ARO

* OTHER REFERENCE NOS. NOT APPLICABLE
 NON APPLICABLE POUR LES AUTRES NOS. REPERES
 NO SE APLICAN LOS OTROS NOS. DE REFERENCIA

NAAO ACHE



CYLINDER HEAD
CULASSE
CULATA

1	68144		1	CYL HEAD ASSY	TETE DE VERIN	CULATA DE CILIND
2	0650540	1 (A)	3	PLUG	BOUCHON	TAPON ROSCADO
2	2431154	(B)	1	PLUG	BOUCHON	TAPON ROSCADO
3	2431103	1	4	PLUG	BOUCHON	TAPON ROSCADO
4	0650692	1	1	PLUG	BOUCHON	TAPON ROSCADO
5	0650710	1	1	PLUG	BOUCHON	TAPON ROSCADO
6	0650713	1	1	PLUG	BOUCHON	TAPON ROSCADO
7	37443591	1	4	INSERT	DOUILLE	INSERCION
8	0921249	1	4	WASHER	RONDELLE	ARANDELA
9	0910064	1	4	VALVE INLET	SOUPAPE	VALVULA
10	0910061	1	4	VALVE EXHAUST	SOUPAPE	VALVULA
11	3313E001	1	4	GUIDE-INLET	GUIDE	GUIA
12	33261723	1	4	GUIDE	GUIDE	GUIA
13	31744129	1	8	SPRING	RESSORT	MUELLE
14	31745118	1	8	SPRING	RESSORT	MUELLE
15	0921117	1	8	SEAT	SIEGE	ASIEN TO
16	0640116	1	4	SEAL	BAGUE ETANCHEITE	RETEN
17	0150143	1	4	CAP	CHAPEAU	TAPON
18	0150129	1	4	CAP	CHAPEAU	TAPON
19	0230001	1 (C)	8	COTTER	BICONE	PASADOR ABIERTO
20	33124424		4	INSERT INLET	DOUILLE	INSERCION
21	33123411		4	INSERT EXHAUST	DOUILLE	INSERCION
22	32524148		18	STUD	GOUJON	ESPARRAGO
23	33221317		12	NUT	ECROU	TUERCA
24	33531117		6	NUT	ECROU	TUERCA
26	33115411		18	WASHER	RONDELLE	ARANDELA

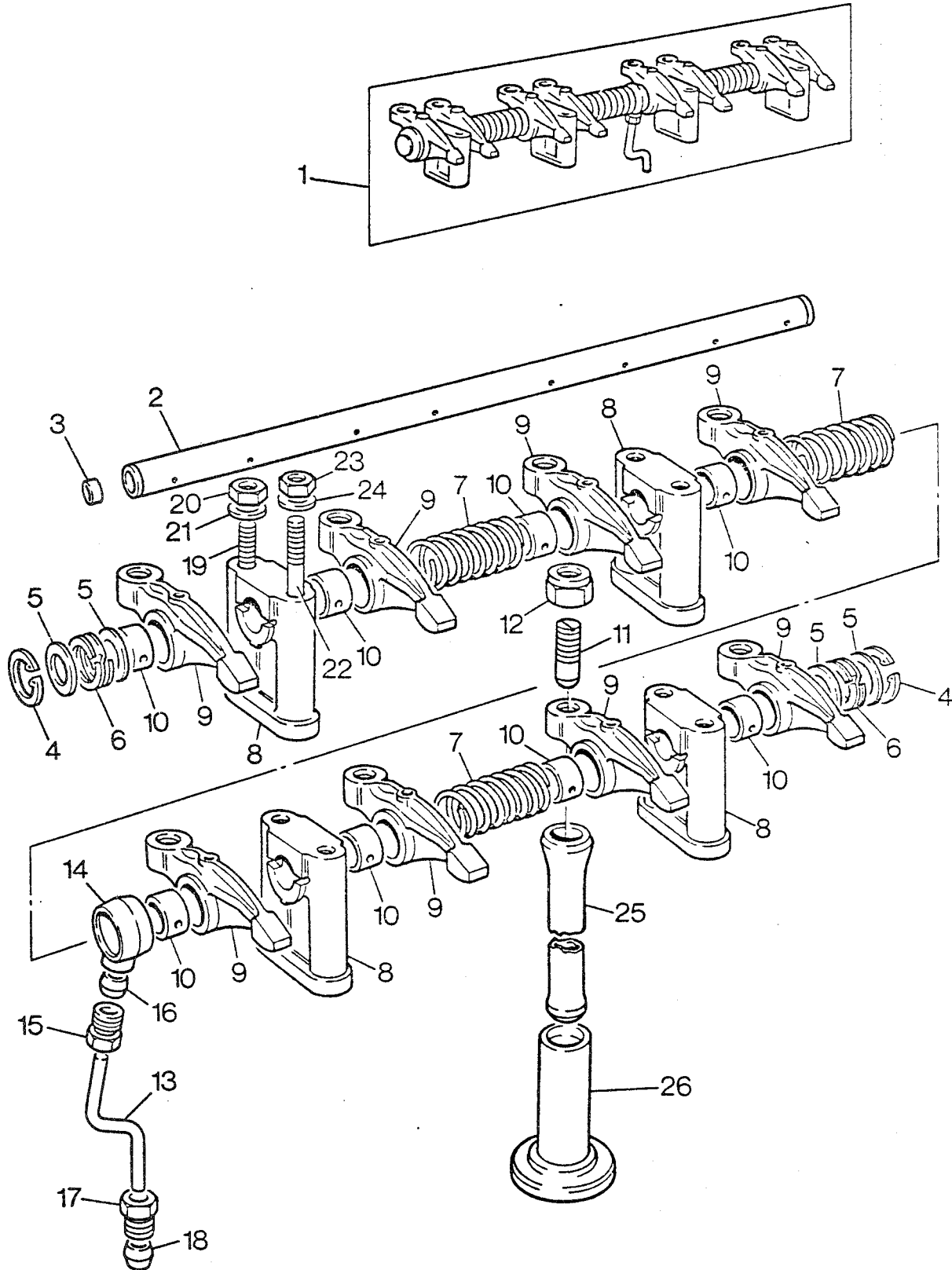
(A) QTY. CHANGED FROM 3 TO 2 FOR NAP000265

* QTY. CHANGED FROM 3 TO 1 FOR NAP000273

(B) USED ON NAP000265 AND NAP000273
UTILISER AVEC NAP000265 ET NAP000273
USAR CON NAP000265 Y NAP000273

(C) SERVICED IN PAIRS
SERVI PAR PARES
SUMINISTRADA EN PARES

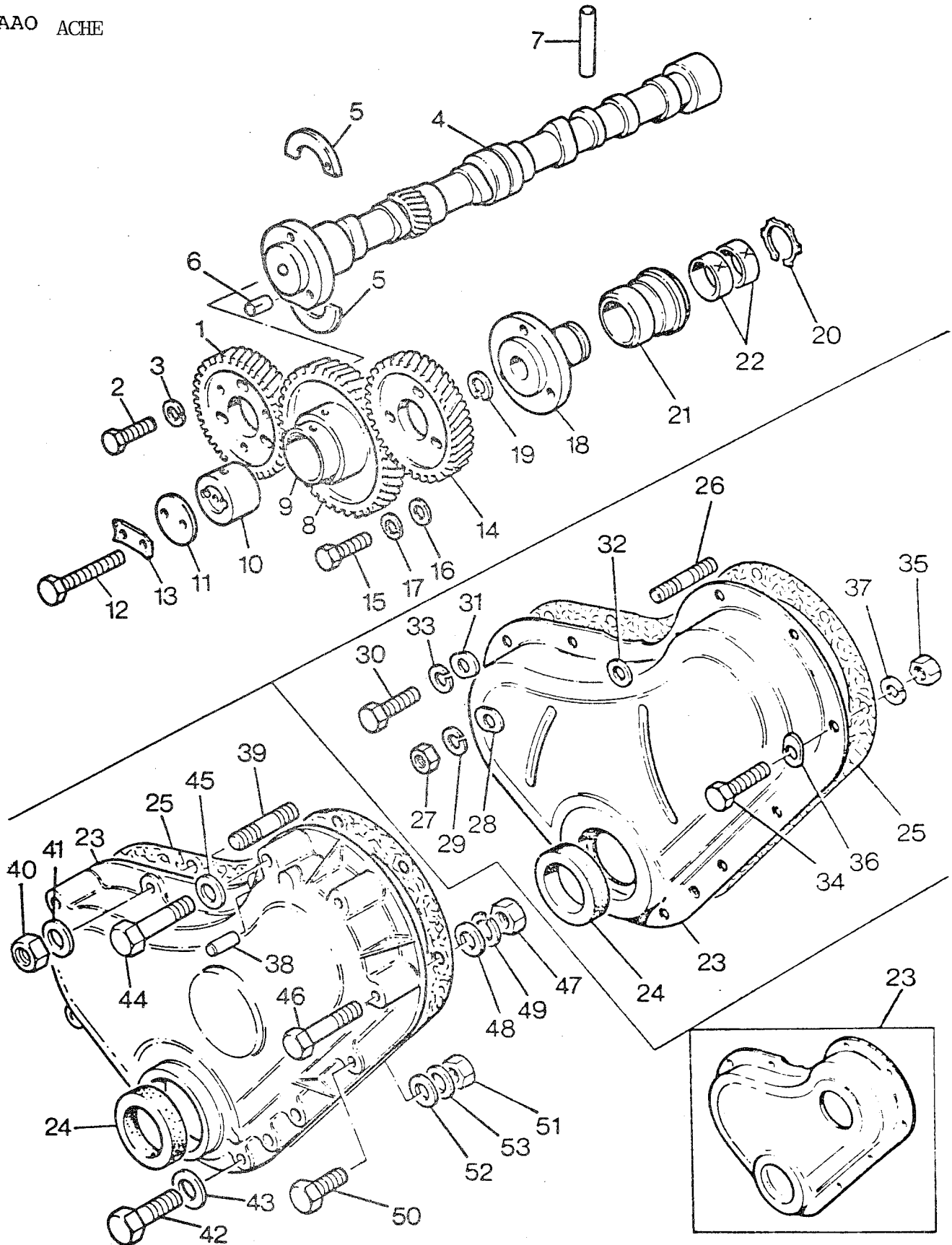
NAAO ACHE



ROCKER SHAFT
 AXE DES CULBUTEURS
 EJE DE BALANCIN

1	58529		1	SHAFT ASSY	CARTER	CAJA
2	55286	1	1	SHAFT	ARBRE	PALIER
3	0650507	2	2	PLUG	BOUCHON	TAPON ROSCADO
4	0170033	1	2	CIRCLIP	SEGMENT D'ARRET	CIRCLIP
5	0920485	1	4	WASHER	RONDELLE	ARANDELA
6	0921122	1	2	WASHER	RONDELLE	ARANDELA
7	0780261	1	3	SPRING	RESSORT	MUELLE
8	0102202	1	4	BRACKET	SUPPORT FIXATION	APLIQUE
9	41151472	1	8	LEVER	LEVIER	PALANCA
10	0050132	9	1	BUSH	BAGUE	CASQUILLO
11	0720790	1	8	SCREW	VIS	TORNILLO
12	0576151	1	8	NUT	ECROU	TUERCA
13	34414122	1	1	PIPE	CANALISATION	TUBERIA
14	0201318	1	1	CONNECTION	CONNEXION	VARILLA CONEX
15	0571351	1	1	NUT	ECROU	TUERCA
16	0566002	1	1	OLIVE	OLIVE	OLIVA
17	0571351		1	NUT	ECROU	TUERCA
18	0566002		1	OLIVE	OLIVE	OLIVA
19	0826250		6	STUD	GOUJON	ESPARRAGO
20	0576302		6	NUT	ECROU	TUERCA
21	0920003		6	WASHER	RONDELLE	ARANDELA
22	0825219		2	STUD	GOUJON	ESPARRAGO
23	0576302		2	NUT	ECROU	TUERCA
24	0920003		2	WASHER	RONDELLE	ARANDELA
25	31434306		8	PUSH ROD	TIGE	BOTADOR
26	31434152		8	TAPPET	POUSSOIR SOUPEPE	TAPON ELECTRICO

NAAO ACHE

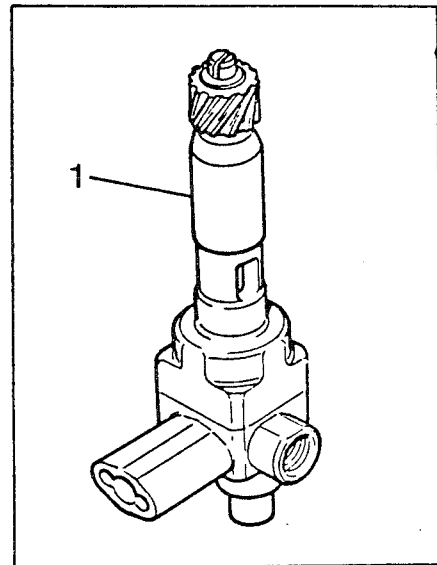
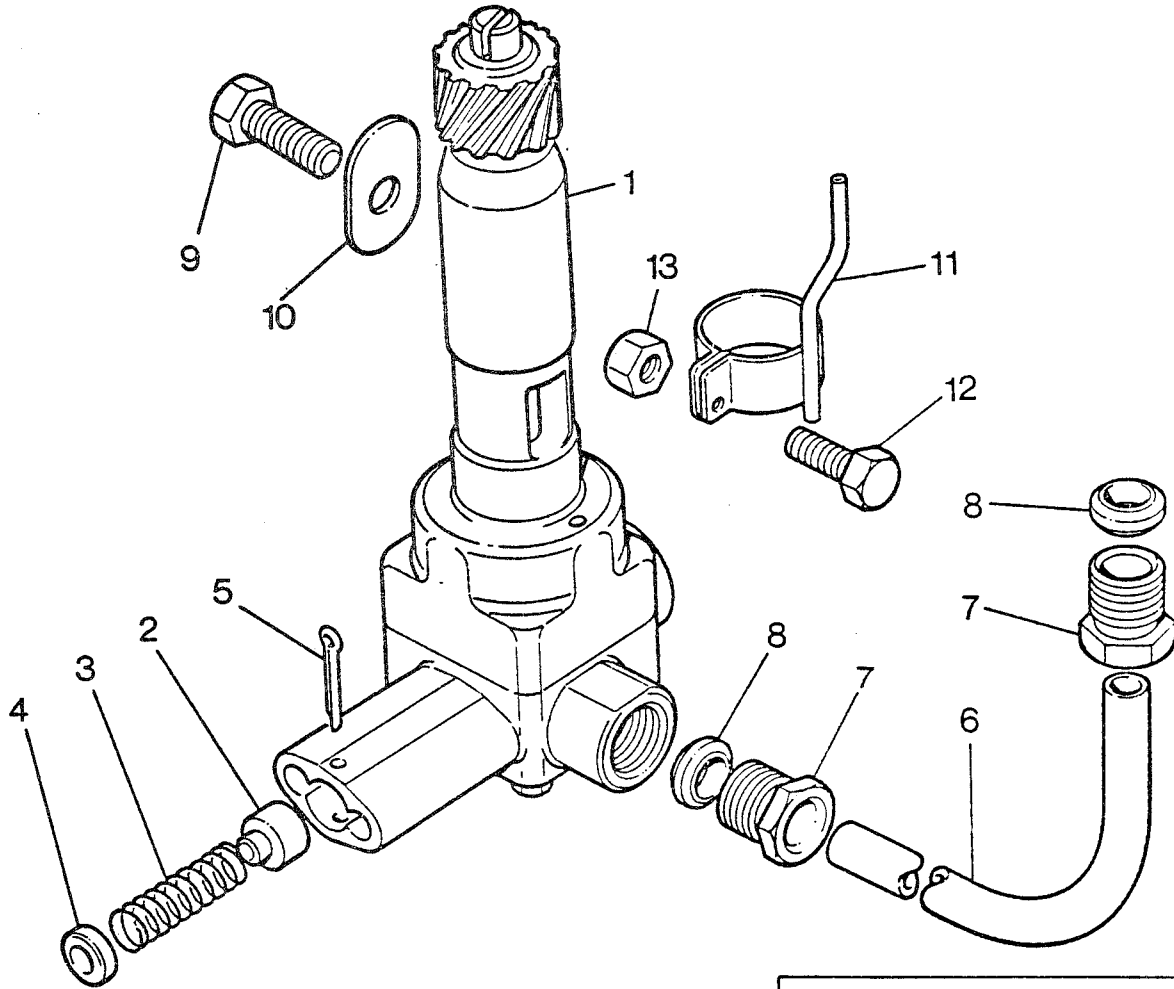


TIMING GEAR & CAMSHAFT
DISTRIBUTION ET ARBRE A CAMES
DISTRIBUCION Y EJE DE LEVAS

1	31171541		1	GEAR	ENGRENAGE	ENGRANAJE
2	0746255		3	SCREW	VIS	TORNILLO
3	0920053		3	WASHER	RONDELLE	ARANDELA
4	31415303		1	CAMSHAFT	ARBRE A CAMES	ARBOL DE LEVAS
5	36178509		2	THRUSTWASHER	RONDELLE	ARANDELA
6	2116053		1	DOWEL	PLOT	CENTRAJE
7	0700279		1	PUSH ROD	TIGE	BOTADOR
8	41115036		1	GEAR	ENGRENAGE	ENGRANAJE
9		8 41115036	1	GEAR	ENGRENAGE	ENGRANAJE
10	33426516		1	HUB	MOYEU	CUBO
11	0941044		1	PLATE	PLAQUE	PLATO
12	0746461		2	SCREW	VIS	TORNILLO
13	0921159		1	TABWASHER	RONDELLE	ARANDELA
14	31171542		1	GEAR	ENGRENAGE	ENGRANAJE
15	0746355		3	SCREW	VIS	TORNILLO
16	0920003		3	WASHER	RONDELLE	ARANDELA
17	0920053		3	WASHER	RONDELLE	ARANDELA
18	33472496		1	HUB	MOYEU	CUBO
20	2724436		1	CIRCLIP	SEGMENT D'ARRET	CIRCLIP
21	41425781		1	HOUSING	CARTER	CARCASA
22	2511447	21	2	BUSH	BAGUE	CASQUILLO
23	37161105		1	TIMING CASE	DISTRIBUTION	DISTRIBUCION
24	0730098		1	SEAL	BAGUE ETANCHEITE	RETEN
25	36813145		1	JOINT	ARTICULATION	CRUCETA CJTO
26	0826201		1	STUD	GOUJON	ESPARRAGO
27	0576002		1	NUT	ECROU	TUERCA
28	36151505		1	WASHER	RONDELLE	ARANDELA
29	0920053		1	WASHER	RONDELLE	ARANDELA
30	0746255		8	SCREW	VIS	TORNILLO
31	36151505		6	WASHER	RONDELLE	ARANDELA
32	0920003		1	WASHER	RONDELLE	ARANDELA
33	0920053		8	WASHER	RONDELLE	ARANDELA
34	0746052		4	SCREW	VIS	TORNILLO
35	0576001		4	NUT	ECROU	TUERCA
36	36151506		3	WASHER	RONDELLE	ARANDELA
37	0920052		4	WASHER	RONDELLE	ARANDELA

* OTHER REFERENCE NOS. NOT APPLICABLE
NON APPLICABLE POUR LES AUTRES NOS. REPERES
NO SE APLICAN LOS OTROS NOS. DE REFERENCIA

NAAO ACHE

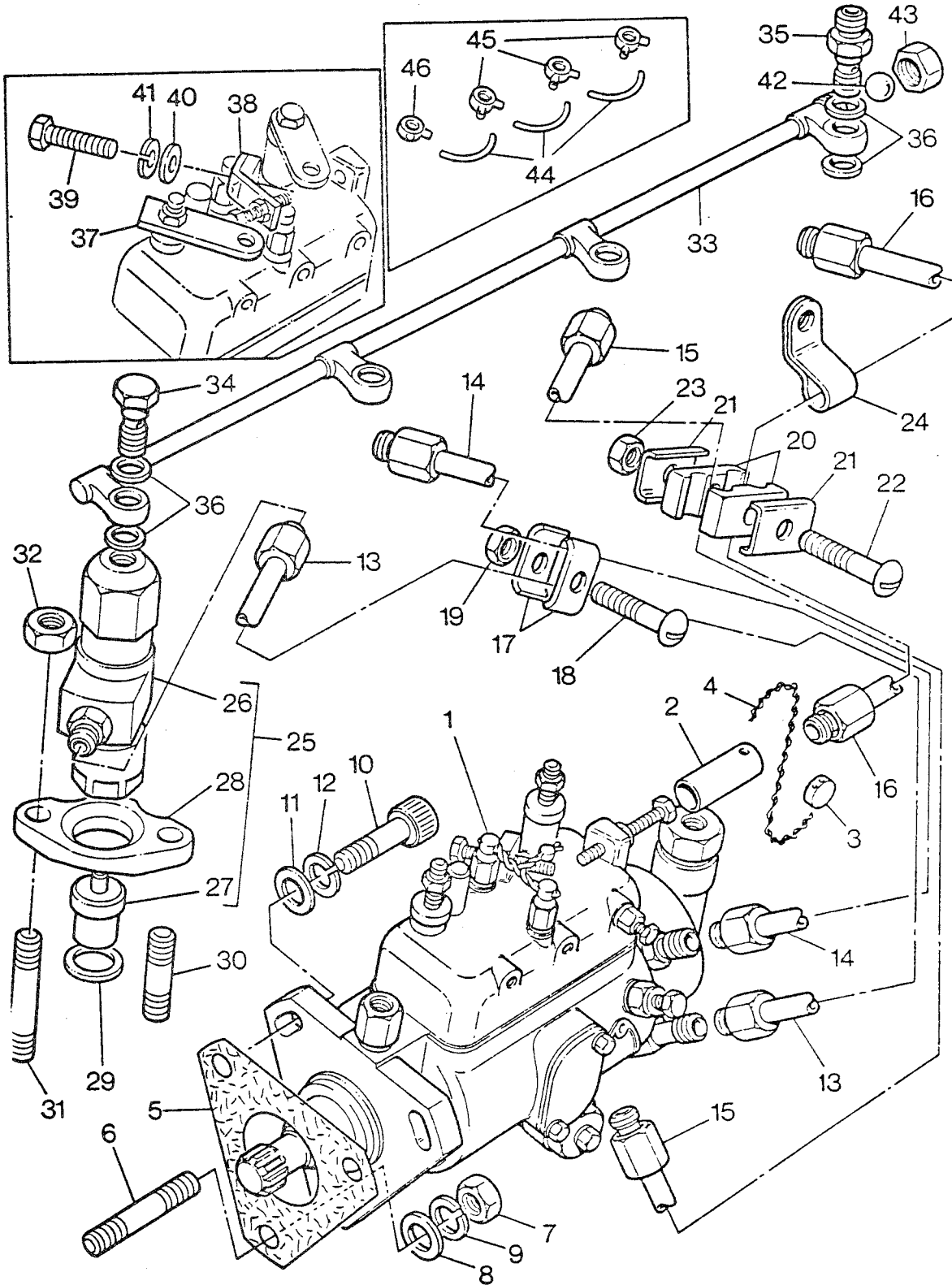


LUBRICATING OIL PUMP & DELIVERY HOUSING
 POMPE A HUILE ET CLAPET DE DECHARGE
 BOMBA DEL ACEITE Y CARTER DE ALIMENTACION

1	41314089		1	PUMP	POMPE	BOMBA
2	32712715	1	1	PLUNGER	PLONGEUR	EMBOLO
3	31742128	1	1	SPRING	RESSORT	MUELLE
4	0150144	1	1	CAP	CHAPEAU	TAPON
5	0610011	1	1	SPLIT PIN	GOUPILLE	PASADOR

6	0623293		1	PIPE	CANALISATION	TUBERIA
7	0571352		2	NUT	ECROU	TUERCA
8	0566007		2	OLIVE	OLIVE	OLIVA
9	0746201		1	SCREW	VIS	TORNILLO
10	36151507		1	WASHER	RONDELLE	ARANDELA

NAAO AFHE

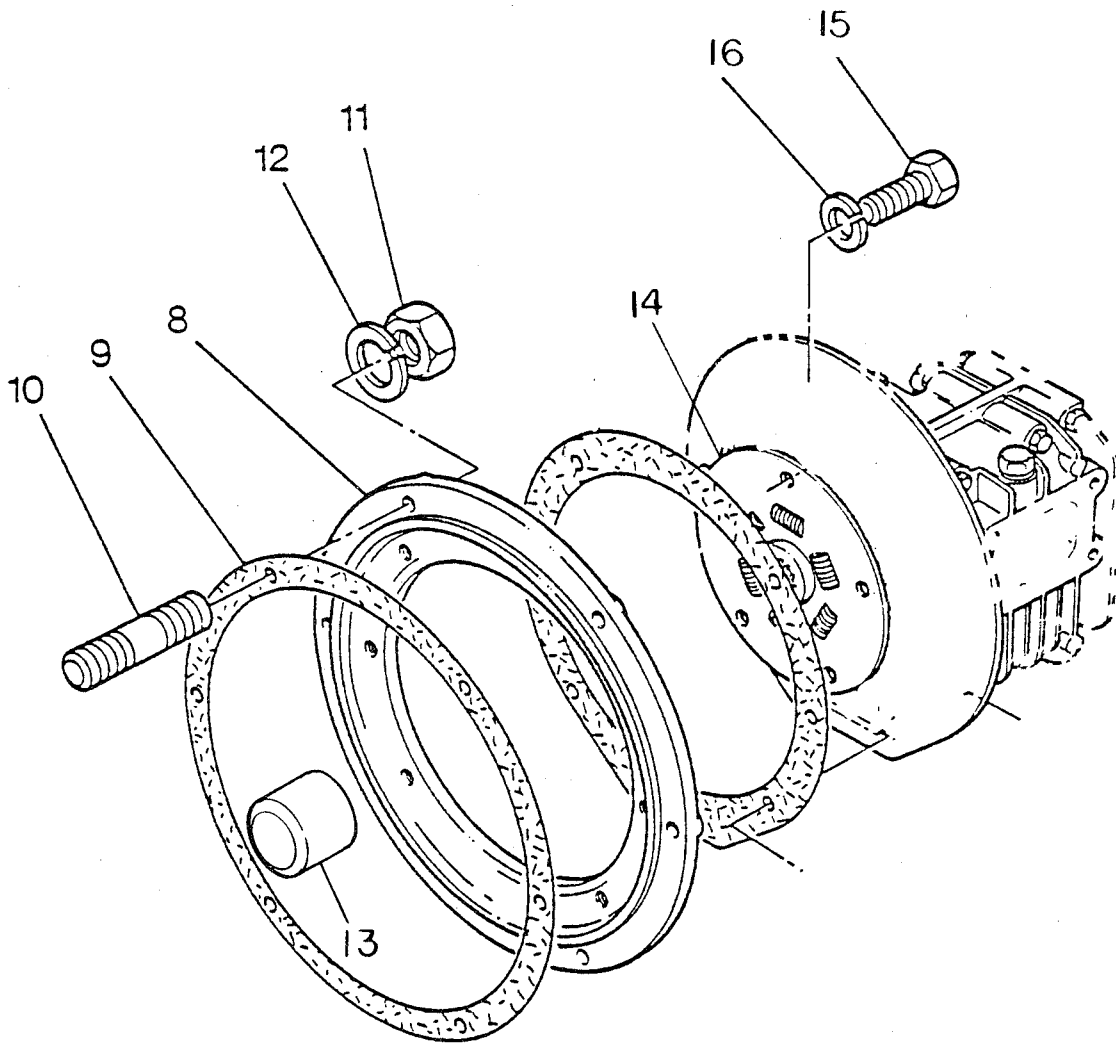


FUEL INJECTION EQUIPMENT (DIESEL)
EQUIPEMENT D'INJECTION (DIESEL)
EQUIPO DE INYECCION DE COMBUSTIBLE (DIESEL)

1	37880		1	PUMP	POMPE	BOMBA
2	2644951		1	SLEEVE	MANCHON	MANGON
3	31718104		1	SEAL	BAGUE ETANCHEITE	RETEN
4	31718105		1	WIRE	FIL	HILO ELECTRICO
5	0490685		1	JOINT	ARTICULATION	CRUCETA CJTO
6	0826244		2	STUD	GOUJON	ESPARRAGO
7	0576002		2	NUT	ECROU	TUERCA
8	0920003		2	WASHER	RONDELLE	ARANDELA
9	0920053		2	WASHER	RONDELLE	ARANDELA
10	2172692		1	CAPSCREW	VIS	TORNILLO
11	0920003		1	WASHER	RONDELLE	ARANDELA
12	0920053		1	WASHER	RONDELLE	ARANDELA
13	35355268	NO. 1 CYL.	1	PIPE	CANALISATION	TUBERIA
14	35354355	NO. 2 CYL.	1	PIPE	CANALISATION	TUBERIA
15	35354263	NO. 3 CYL.	1	PIPE NO. 3 CYL	TUYAU	TUBO
16	35354264	NO. 4 CYL.	1	PIPE NO. 4 CYL	TUYAU	TUBO
17	0180637		4	CLIP	CIRCLIP	CRAPA
18	0726264		2	SCREW	VIS	TORNILLO
19	2211401		2	NUT	ECROU	TUERCA
25	2645559		4	ATOMISER	INJECTEUR	TOBERA
27	33435	25	1	NOZZLE	NEZ INJECTEUR	TOBERA
29	0920113		4	WASHER	RONDELLE	ARANDELA
30	0826232		4	STUD	GOUJON	ESPARRAGO
31	0826274		4	STUD	GOUJON	ESPARRAGO
32	0576002		8	NUT	ECROU	TUERCA
33	35587355		1	PIPE	CANALISATION	TUBERIA
34	0095315		4	BOLT	BOULON	TORNILLO PASANTE
36	0921176		8	WASHER	RONDELLE	ARANDELA

* OTHER REFERENCE NOS. NOT APPLICABLE
NON APPLICABLE POUR LES AUTRES NOS. REPERES
NO SE APLICAN LOS OTROS NOS. DE REFERENCIA

NAAO .BDHE



BDNE00010

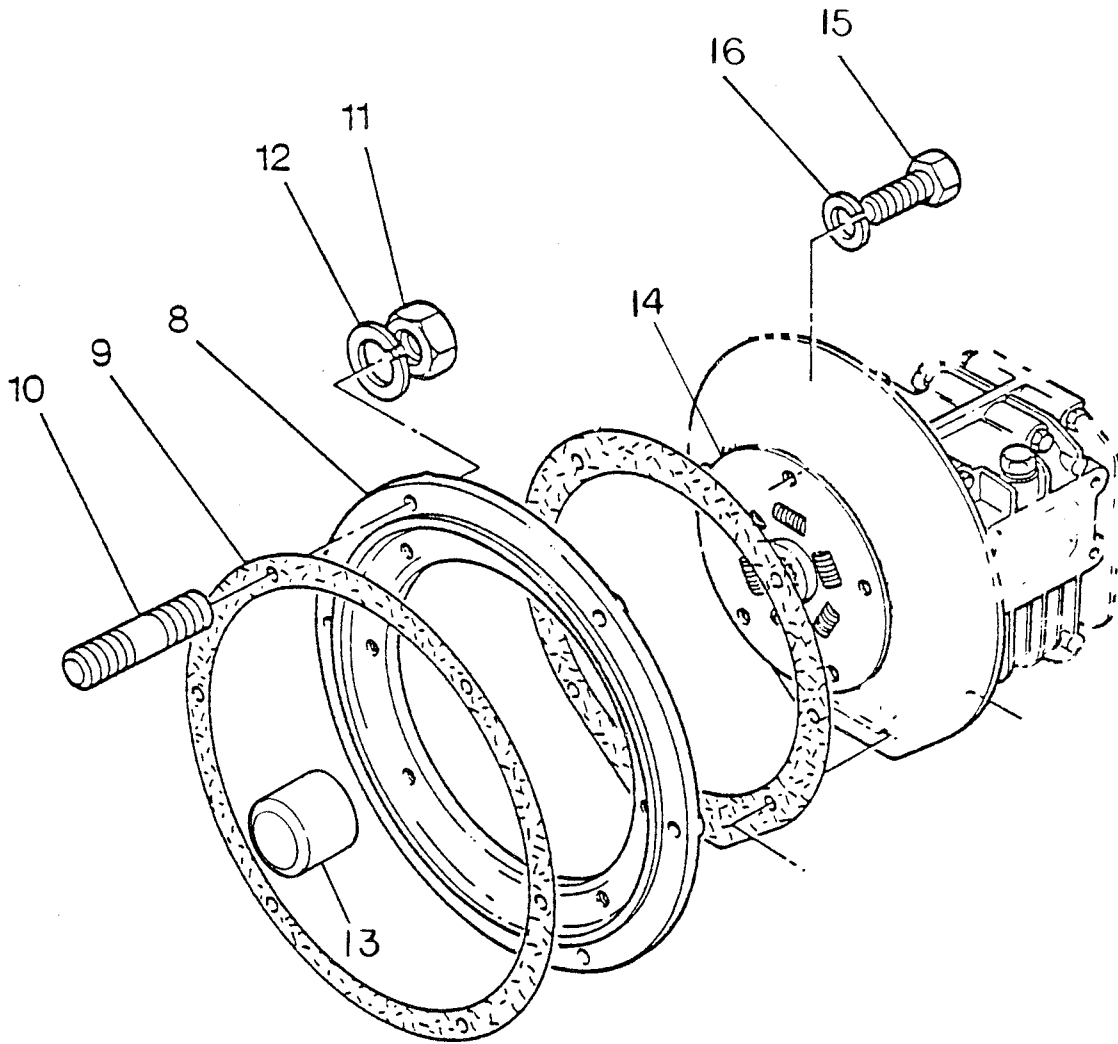
“NA”

PTO CLUTCH & GEARBOX
PRISE DE FORCE EMBRAYAGE ET BOITE VITESSES
EMBAGUE DE LA T DE F Y CAJA DE CAMBOIS

8	37147101	1	PLATE	PLAQUE	PLATO
9	36826108	1	JOINT	ARTICULATION	CRUCETA CJTO
10	0827813	6	STUD	GOUJON	ESPARRAGO
11	0576051	6	NUT	ECROU	TUERCA
12	0920054	6	WASHER	RONDELLE	ARANDELA
13	2513236	1	BUSH	BAGUE	CASQUILLO
14	NA000617	1	DAMPER DRIVE	DAMPER S POULIE	AMORTIGUADOR MOT
15	2222108	5	SCREW	VIS	TORNILLO
16	0920052	5	WASHER	RONDELLE	ARANDELA

* OTHER REFERENCE NOS. NOT APPLICABLE
NON APPLICABLE POUR LES AUTRES NOS. REPERES
NO SE APLICAN LOS OTROS NOS. DE REFERENCIA

NAAO .BDHE



BDNE00011

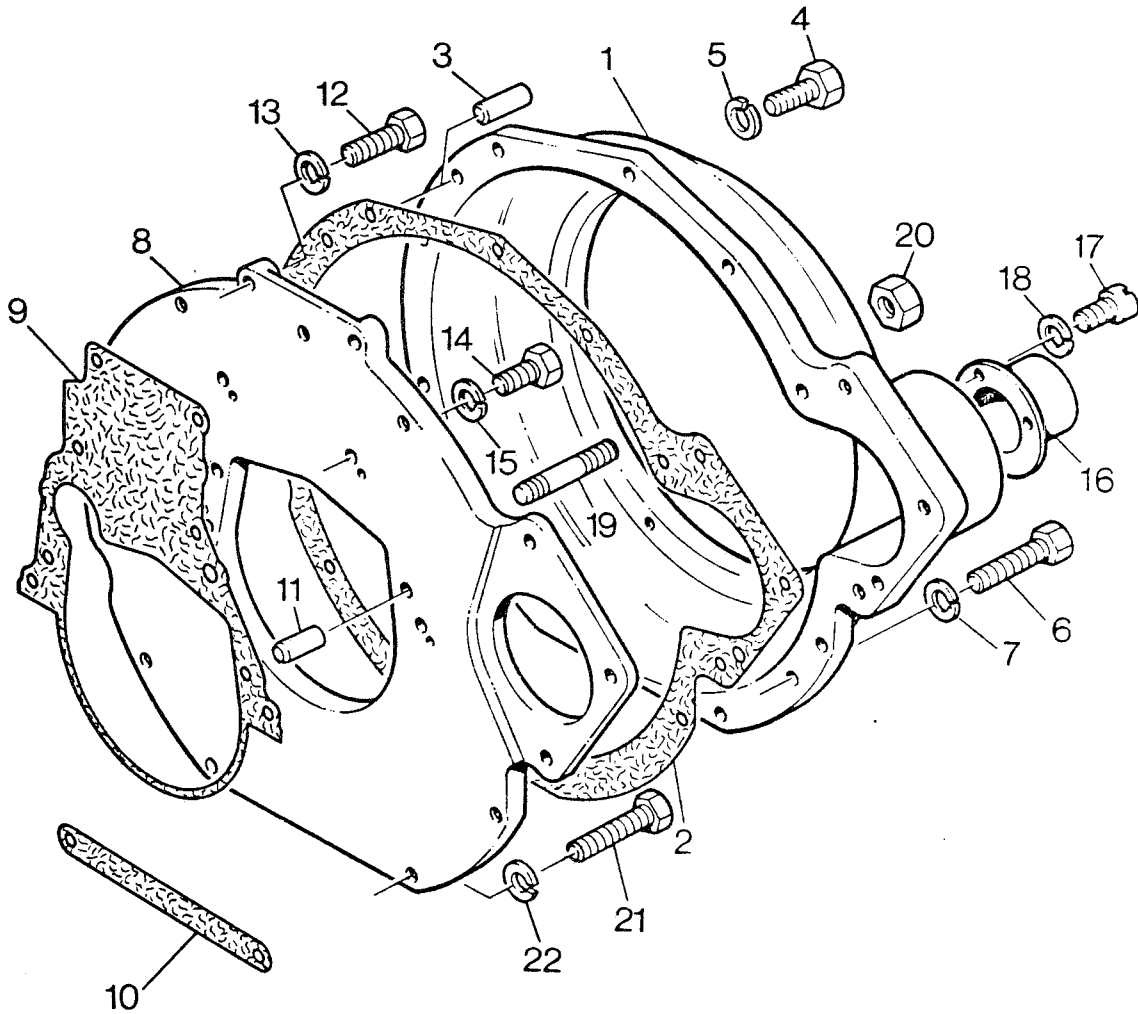
"NA"

PTO CLUTCH AND GEARBOX
PRISE DE FORCE EMBRAYAGE ET BOITE VITESSES
EMBRAGUE DE LA T DE F Y CAJA DE CAMBOIS

1	3114X011	A	1	PULLEY	POULIE	POLEA
2	0746457	A	3	SCREW	VIS	TORNILLO
3	0920054	A	3	WASHER	RONDELLE	ARANDELA
4	0500133	A	1	KEY	CLAVETTE	LLAVE

A USED ON OPTION NAA000043
 UTILISER AVEC NAA000043
 USAR CON NAA000043

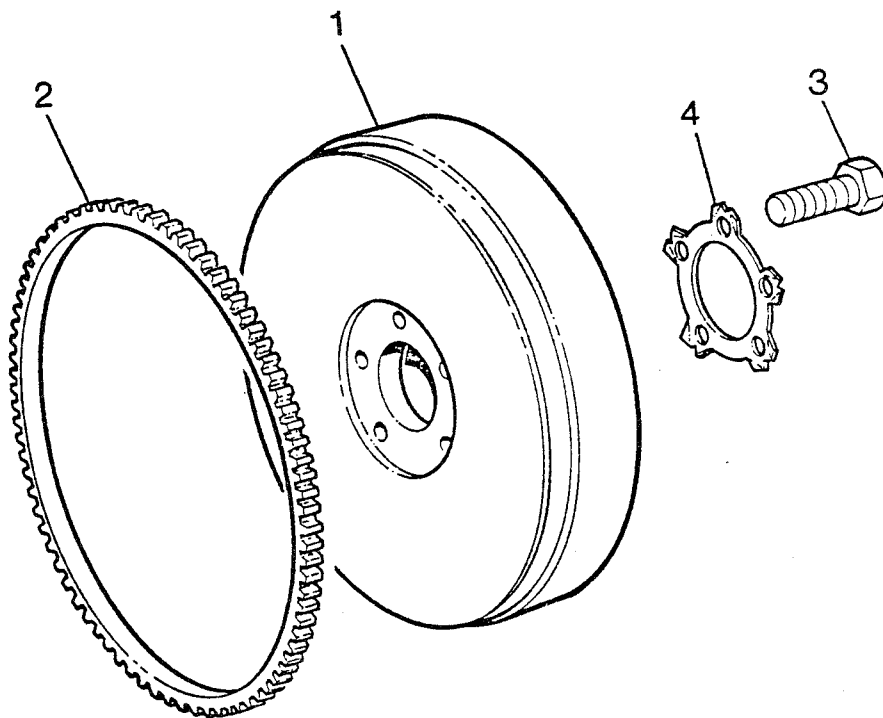
NAAO CDHE



FLYWHEEL HOUSING
 CARTER VOLANT
 CARTER DEL VOLANTE

1	37134901	1	HOUSING	CARTER	CARCASA
2	36826121	1	JOINT	ARTICULATION	CRUCETA CJTO
3	0350020	2	DOWEL	PLOT	CENTRAJE
4	0748524	7	SETSCREW	VIS	TORNILLO
5	0920054	7	WASHER	RONDELLE	ARANDELA
6	0748527	2	SCREW	VIS	TORNILLO
7	0920054	2	WASHER	RONDELLE	ARANDELA
8	37147021	1	PLATE	PLAQUE	PLATO
9	36867115	1	JOINT	ARTICULATION	CRUCETA CJTO
10	36857107	1	JOINT	ARTICULATION	CRUCETA CJTO
11	0350018	2	DOWEL	PLOT	CENTRAJE
12	0746424	2	SCREW	VIS	TORNILLO
13	0920054	2	WASHER	RONDELLE	ARANDELA
14	0746454	4	SCREW	VIS	TORNILLO
15	0920054	4	WASHER	RONDELLE	ARANDELA

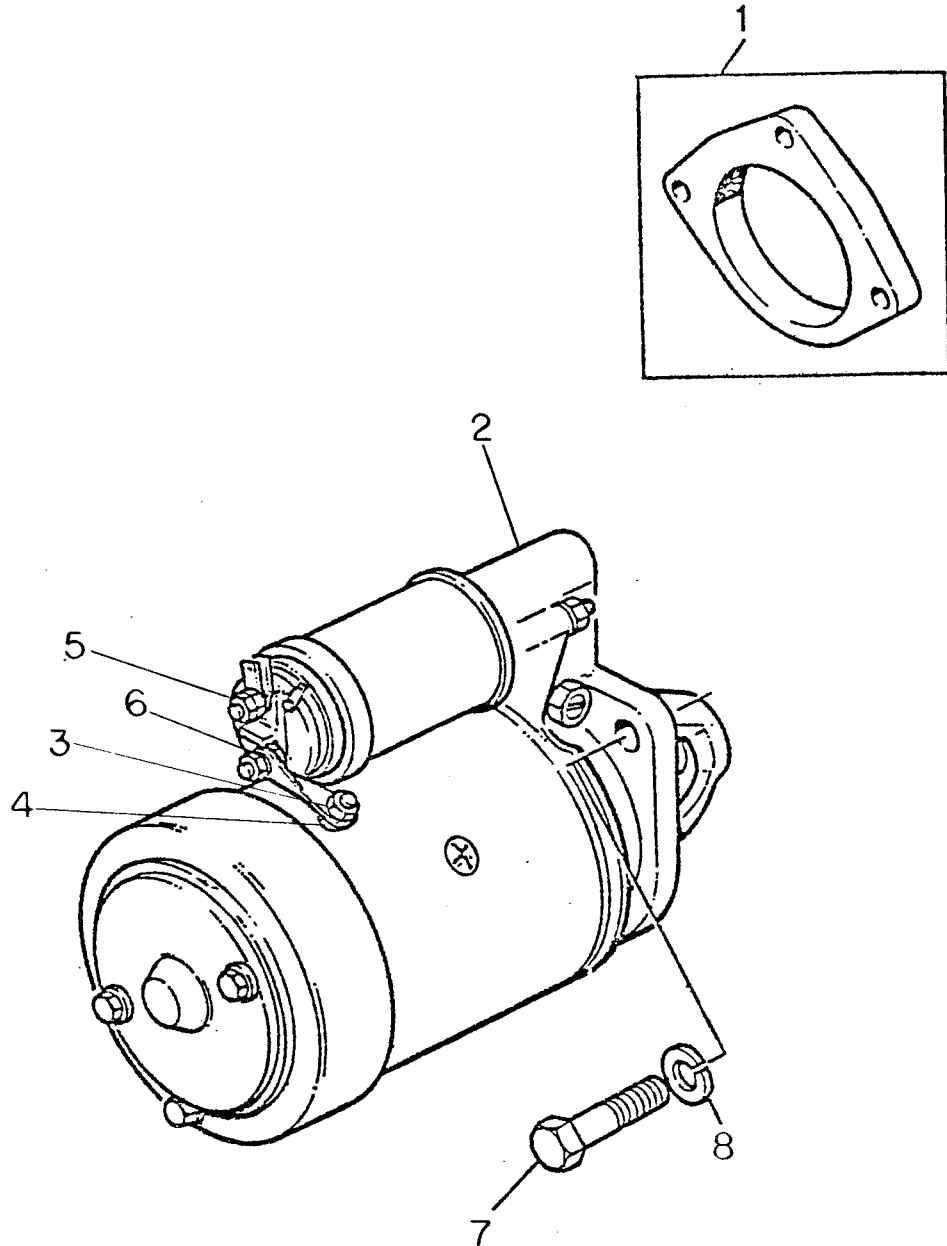
NAAO DDHE



FLYWHEEL & STARTER RING
VOLANT ET COURONNE DEMARRAGE
VOLANTE Y ARO DE ARRANQUE

1	41112744		1	FLYWHEEL ASSY	VOLANT	VOLANTE
2	31161153	1	1	STARTER RING	ANNEAU	ARO
3	0745180		5	SETSCREW	VIS	TORNILLO
4	31734135		1	TABWASHER	RONDELLE	ARANDELA

NAAO .EDHE



EDNE00032

“NA”

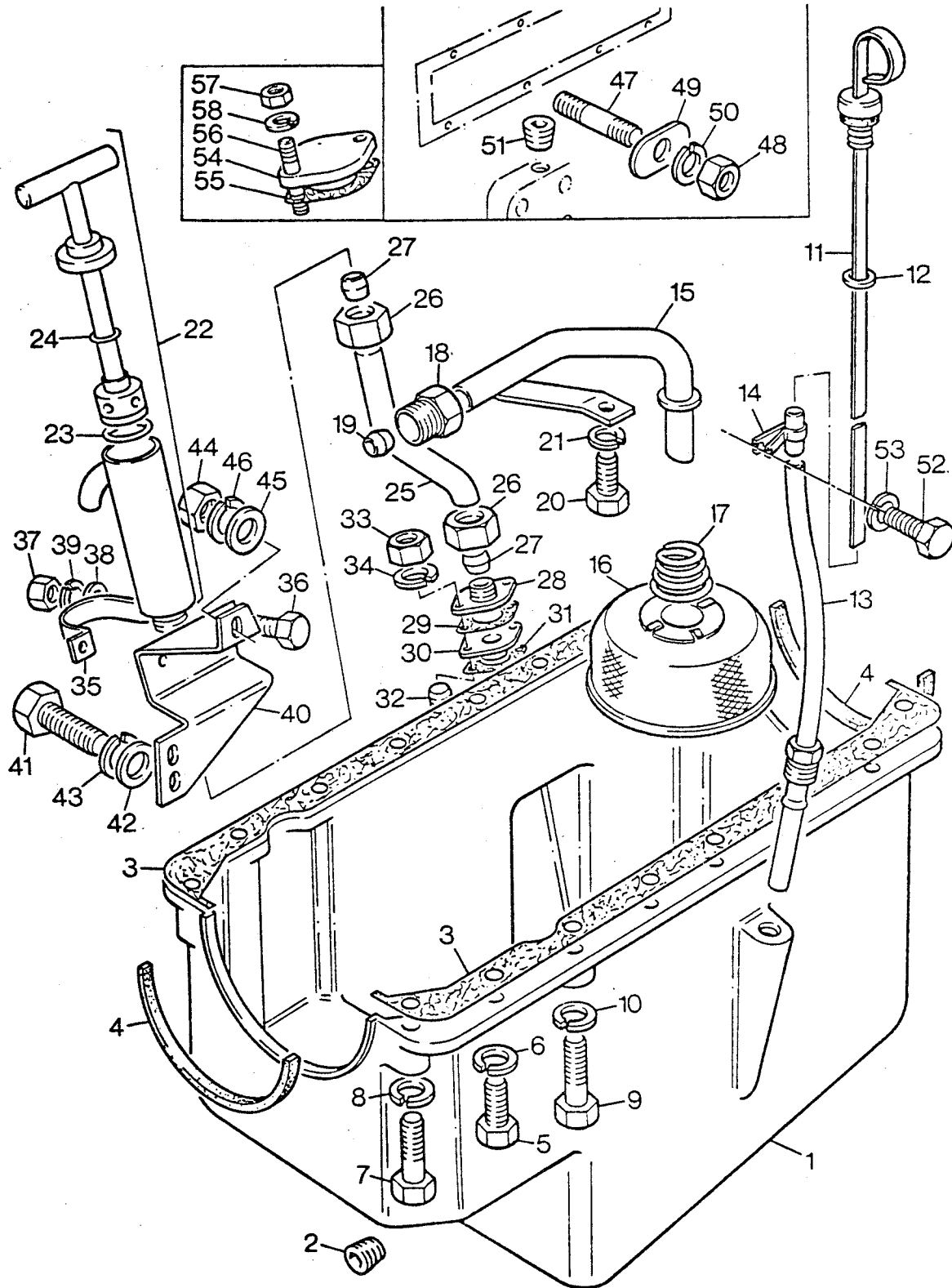
STARTER MOTOR
DEMARREUR
ARRANCADOR

1	37444751		1	SPACER	ENTRETOISE	ESPACIADOR
2	NA000623	A	1	STARTER	DEMARREUR	ARRANCADOR
3	NA003671		1	NUT	ECROU	TUERCA
4	2134177		1	WASHER	RONDELLE	ARANDELA
5	NA003670		2	NUT	ECROU	TUERCA
6	0920051		2	WASHER	RONDELLE	ARANDELA
7	NA003370		3	BOLT	BOULON	TORNILLO PASANTE
8	0920054		3	WASHER	RONDELLE	ARANDELA

A

COMPONENTS SUPPLIED BY DELCO
PARTIES COMPOSANTES FOURNIES PAR DELCO
PIEZAS COMPONENTES SUMINISTRADAS POR DELCO

NAAO GBHE

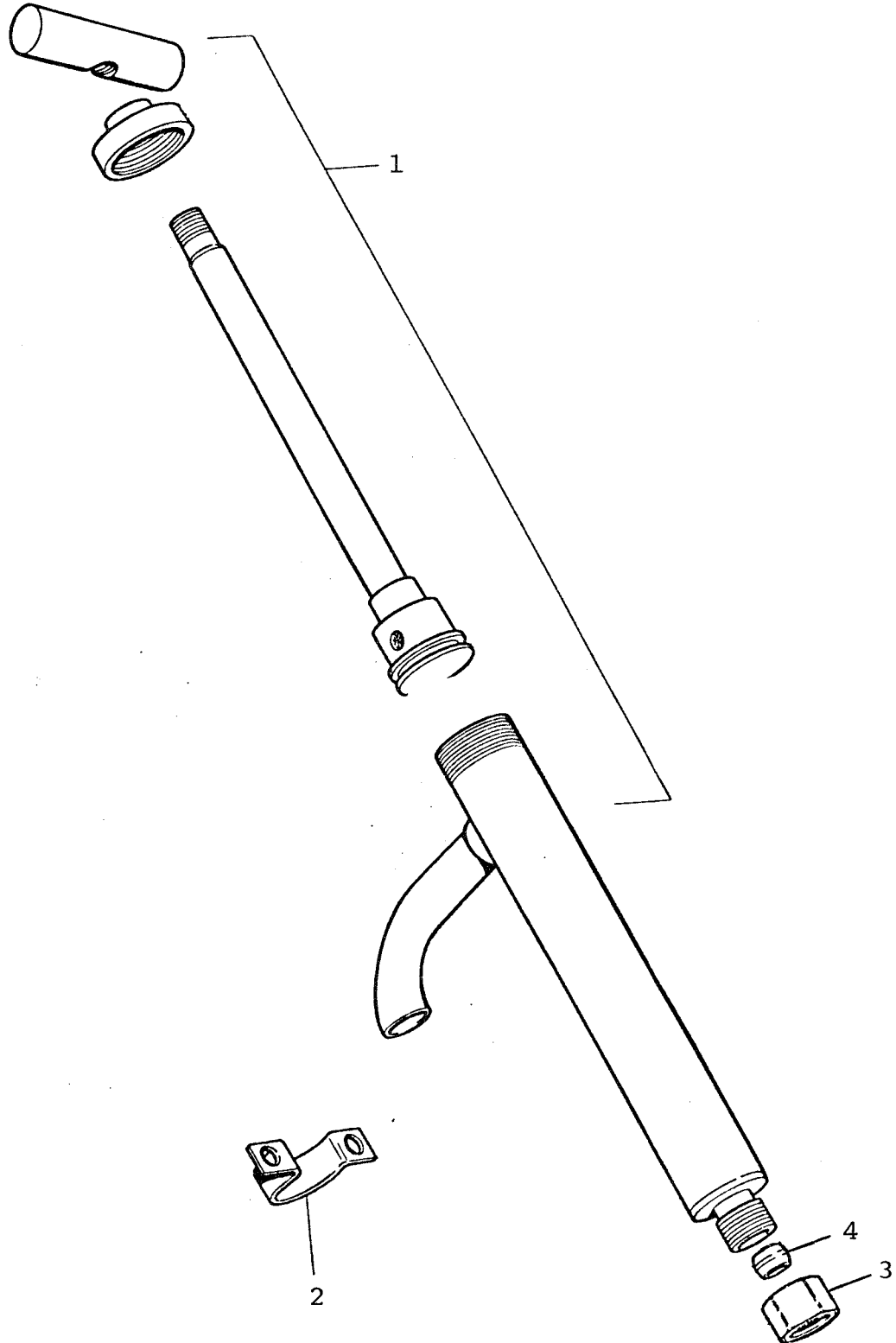


LUBRICATING OIL SUMP
 CARTER D'HUILE
 CARTER DEL ACEITE LUBRICANTE

1	41811027		1	SUMP	CARTER D'HUILE	CARTER
2	2431132		1	PLUG	BOUCHON	TAPON ROSCADO
3	0999659		1	JOINT	ARTICULATION	CRUCETA CJTO
4	0490775		2	JOINT	ARTICULATION	CRUCETA CJTO
5	0746255		11	SCREW	VIS	TORNILLO
6	0920053		11	WASHER	RONDELLE	ARANDELA
7	0096236		4	SCREW	VIS	TORNILLO
8	0920053		4	WASHER	RONDELLE	ARANDELA
9	0746260		1	SETSCREW	VIS	TORNILLO
10	0920053		1	WASHER	RONDELLE	ARANDELA
11	31788387		1	DIPSTICK ASSY	JAUGE	VARILLA NIVEL
12	0920022	11	1	WASHER	RONDELLE	ARANDELA
13	35772432		1	TUBE	TUBE	CONDUCTO
14	0180028		1	CLIP	CIRCLIP	CRAPA
15	35737198		1	PIPE	CANALISATION	TUBERIA
16	37725448		1	STRAINER	CREPINE	TAMIZ
17	0780310		1	SPRING	RESSORT	MUELLE
18	33532121		1	NUT	ECROU	TUERCA
19	0560244		1	OLIVE	OLIVE	OLIVA
20	0746253		1	SCREW	VIS	TORNILLO
21	0920053		1	WASHER	RONDELLE	ARANDELA
51	0726403		1	PLUG	BOUCHON	TAPON ROSCADO
54	36171304		1	PLATE	PLAQUE	PLATO
55	36833115		1	JOINT	ARTICULATION	CRUCETA CJTO
56	0827602		2	STUD	GOUJON	ESPARRAGO
57	0576002		2	NUT	ECROU	TUERCA
58	0920053		2	WASHER	RONDELLE	ARANDELA

* OTHER REFERENCE NOS. NOT APPLICABLE
 NON APPLICABLE POUR LES AUTRES NOS. REPERES
 NO SE APLICAN LOS OTROS NOS. DE REFERENCIA

NAAO .GBHE



GBNE00020

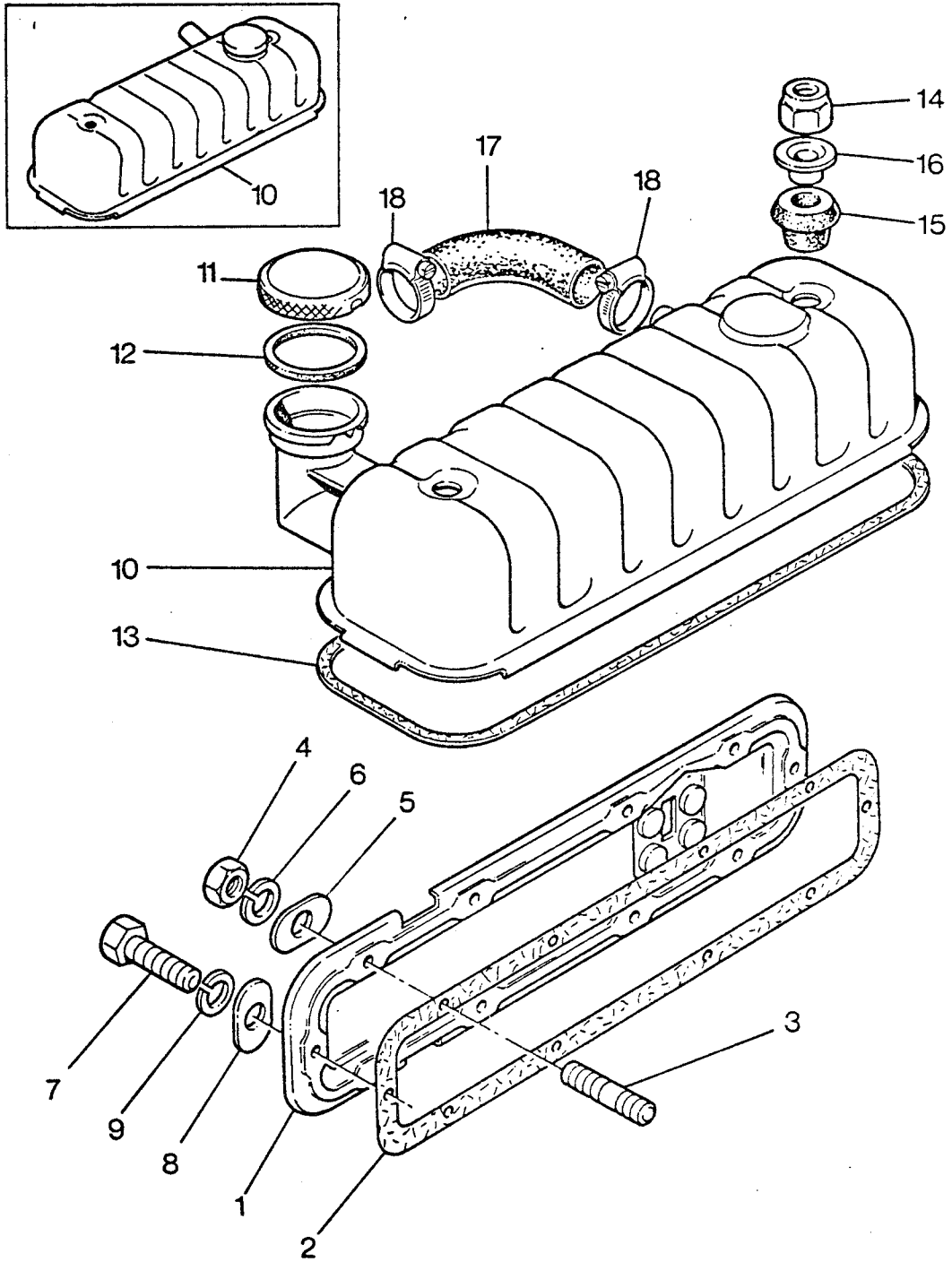
"NA"

LUBRICATING OIL SUMP
CARTER D'HUILE
CARTER DEL ACEITE LUBRICANTE

1	2488458	A	1	PUMP	POMPE	BOMBA
2	36567426	A	1	CLIP	CIRCLIP	CRAPA
3	0576117	A	1	NUT	ECROU	TUERCA
4	0566008	A	1	OLIVE	OLIVE	OLIVA

A USED ON OPTION NAA000225
 UTILISER AVEC NAA000225
 USAR CON NAA000225

NAAO HBHE



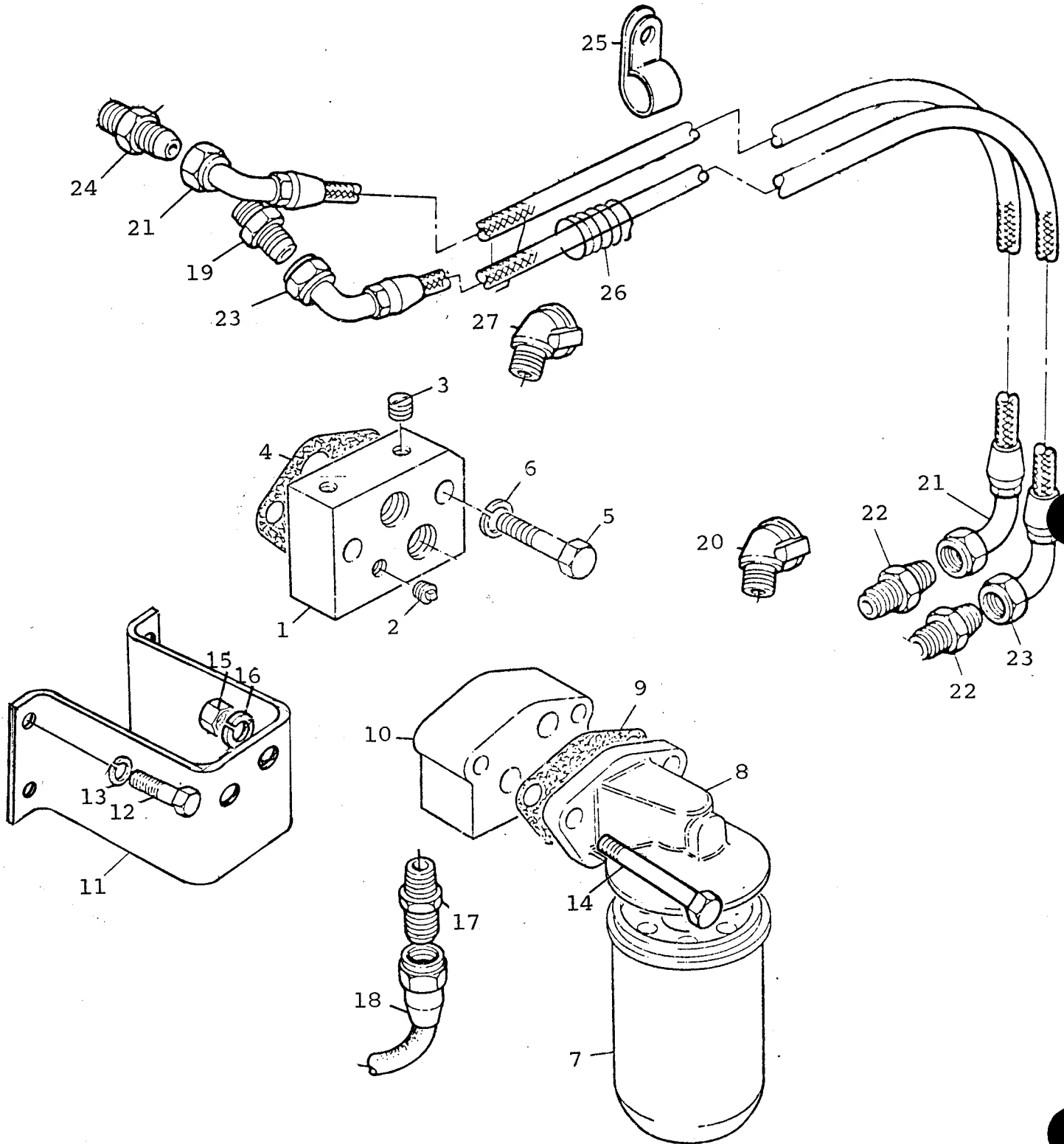
HBHE00596

"B"

LUBRICATING OIL FILLER & BREATHER
 REMPLISSEUR D'HUILE ET RENIFLARD
 RENIFLARD Y LLENADO DEL ACEITE LUBRICANTE

1	37554591		1	COVER	COUVERCLE	CUBIERTA
2	36846412		1	JOINT	ARTICULATION	CRUCETA CJTO
3	0826249		8	STUD	GOUJON	ESPARRAGO
4	0576002		8	NUT	ECROU	TUERCA
5	36151505		8	WASHER	RONDELLE	ARANDELA
6	0920053		8	WASHER	RONDELLE	ARANDELA
7	0746254		2	SCREW	VIS	TORNILLO
8	36151505		2	WASHER	RONDELLE	ARANDELA
9	0920053		2	WASHER	RONDELLE	ARANDELA
10	37188171	215 II	1	COVER	COUVERCLE	CUBIERTA
11	2487845		1	CAP ASSY	CHAPEAU	TAPA
12	24870002	11	1	JOINT	ARTICULATION	CRUCETA CJTO
13	0490724	2 59	1	JOINT	ARTICULATION	CRUCETA CJTO
14	0576102		2	NUT	ECROU	TUERCA
15	0730116	2 59	2	SEAL	BAGUE ETANCHEITE	RETEN
16	0921116		2	WASHER	RONDELLE	ARANDELA
17	34821428		1	HOSE	DURIT EAU	MANGUITO
18	0180063		2	CLIP	CIRCLIP	CRAPA

NAAO . JBHE



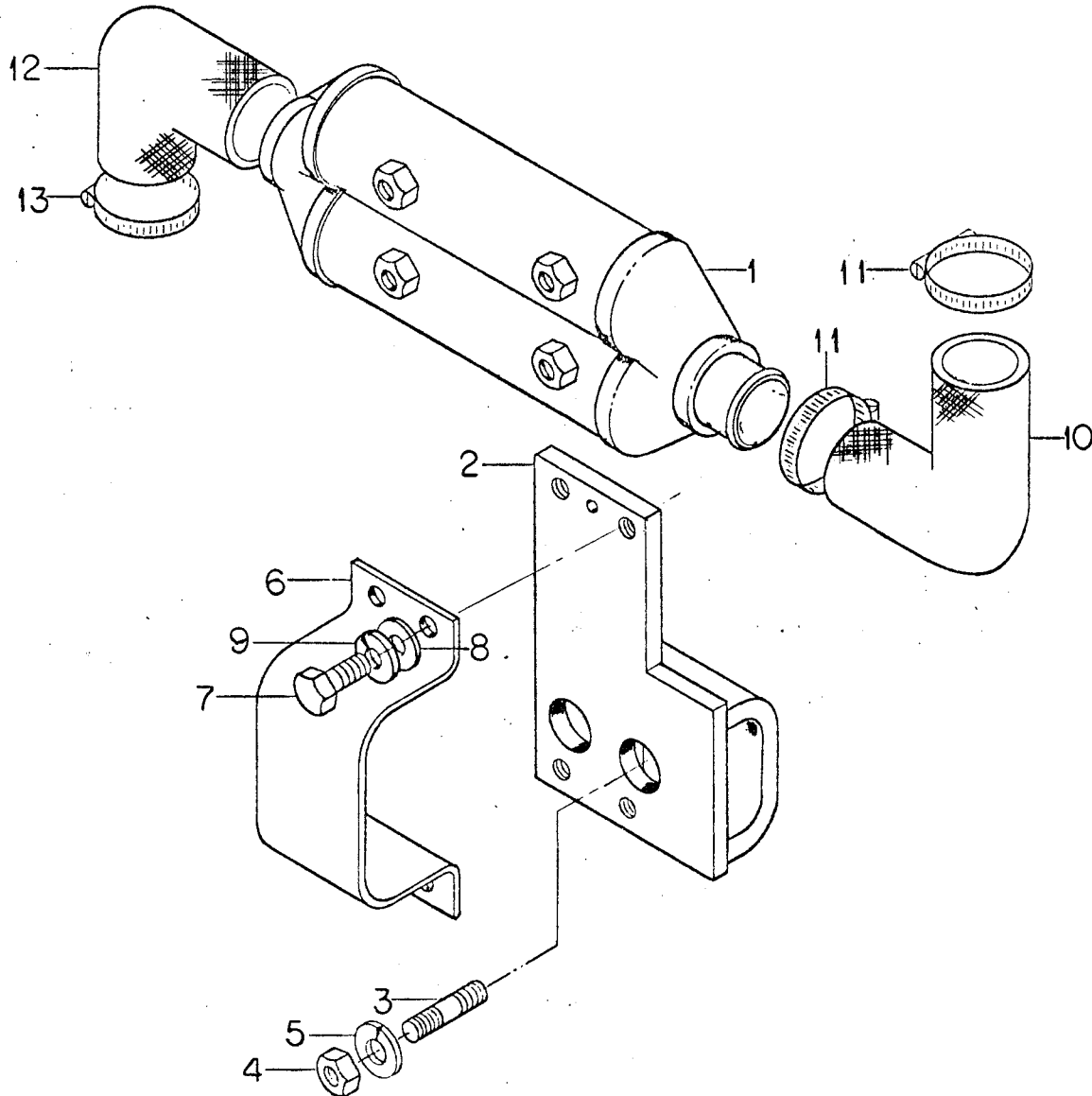
LUBRICATING OIL FILTER AND INTEGRAL OIL COOLER
 FILTRE A HUILE ET REFROIDISSEUR D'HUILE
 FILTRO Y ENGRIADOR INTEGRAL

1	37586951		1	ADAPTOR	ADAPTATEUR	ADAPTADOR
2	0650594	(A)	1	PLUG	BOUCHON	TAPON ROSCADO
3	32114501		2	PLUG	BOUCHON	TAPON ROSCADO
4	36862517		1	JOINT	ARTICULATION	CRUCETA CJTO
5	0096634		2	SCREW	VIS	TORNILLO
6	0920055		2	WASHER	RONDELLE	ARANDELA
7	2654403		1	FILTER	FILTRE	FILTRO
8	37764181		1	HEAD	TETE	CULATA
9	36862517		1	JOINT	ARTICULATION	CRUCETA CJTO
10	37586241		1	GASKET	JOINT	JUNTA
11	NA003485		1	BRACKET	SUPPORT FIXATION	APLIQUE
12	0746452		4	SETSCREW	VIS	TORNILLO
13	0920054		4	WASHER	RONDELLE	ARANDELA
14	2184463		2	SCREW	VIS	TORNILLO
15	0576054		2	NUT	ECROU	TUERCA
16	0920055		2	WASHER	RONDELLE	ARANDELA
17	NA000040		1	CONNECTION	CONNEXION	VARILLA CONEX
18	NA001085		1	HOSE	DURIT EAU	MANGUITO
19	NA001082		1	REDUCER	REDUCTEUR	REDUCTOR
20	NA001083		2	CONNECTION	CONNEXION	VARILLA CONEX
21	NA001086		1	HOSE	DURIT EAU	MANGUITO
22	NA000043		2	CONNECTION	CONNEXION	VARILLA CONEX
23	NA001085		1	HOSE	DURIT EAU	MANGUITO
24	NA000040		1	CONNECTION	CONNEXION	VARILLA CONEX
25	0180166		1	CLIP	CIRCLIP	CRAPA
26	NA001489		5	GUARD	GARDE	PROTECCION
27	NA001486		1	ELBOW	COUDE	CODO

(A) NOT USED ON LIST NAP000273

* OTHER REFERENCE NOS. NOT APPLICABLE
 NON APPLICABLE POUR LES AUTRES NOS. REPERES
 NO SE APLICAN LOS OTROS NOS. DE REFERENCIA

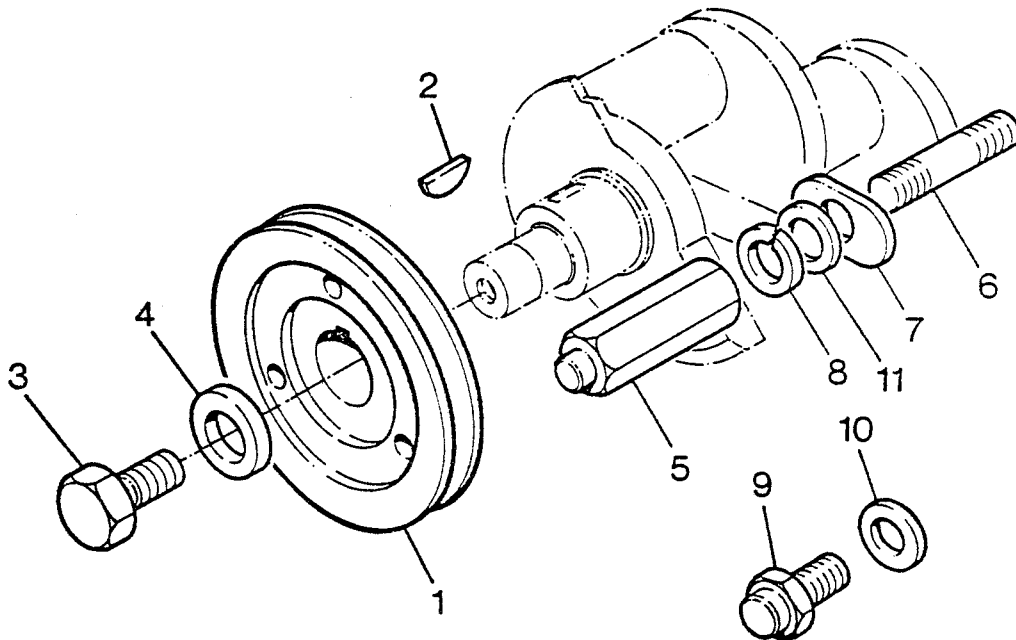
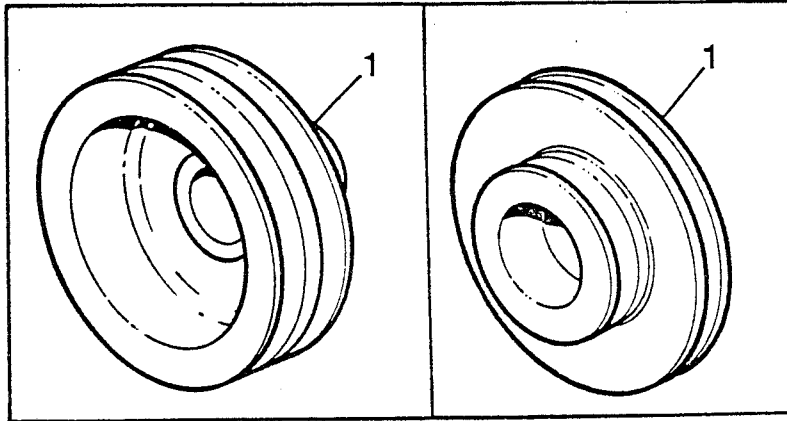
NAAO .JBHE



LUBRICATING OIL FILTER AND INTEGRAL OIL COOLER
 FILTRE A HUILE ET REFROIDISSEUR D'HUILE
 FILTRO Y ENGRADOR INTEGRAL

1	NA004619	1	OIL COOLER	REFROIDISS HUILE	REFRIG DE ACEIT
2	NA001090	1	BRACKET	SUPPORT FIXATION	APLIQUE
3	0826614	2	STUD	GOUJON	ESPARRAGO
4	0576054	2	NUT	ECROU	TUERCA
5	0920055	2	WASHER	RONDELLE	ARANDELA
6	NA001091	1	STRAP	BARRETTE	FLEJE
7	0748411	4	SCREW	VIS	TORNILLO
8	0920003	4	WASHER	RONDELLE	ARANDELA
9	0920053	4	WASHER	RONDELLE	ARANDELA
10	NA004678	1	HOSE	DURIT EAU	MANGUITO
11	0180066	2	CLAMP	COLLIER	ABRAZADERA
12	NA001087	1	ELBOW	COUDE	CODO
13	0180066	2	CLAMP	COLLIER	ABRAZADERA

NAAO KBHE

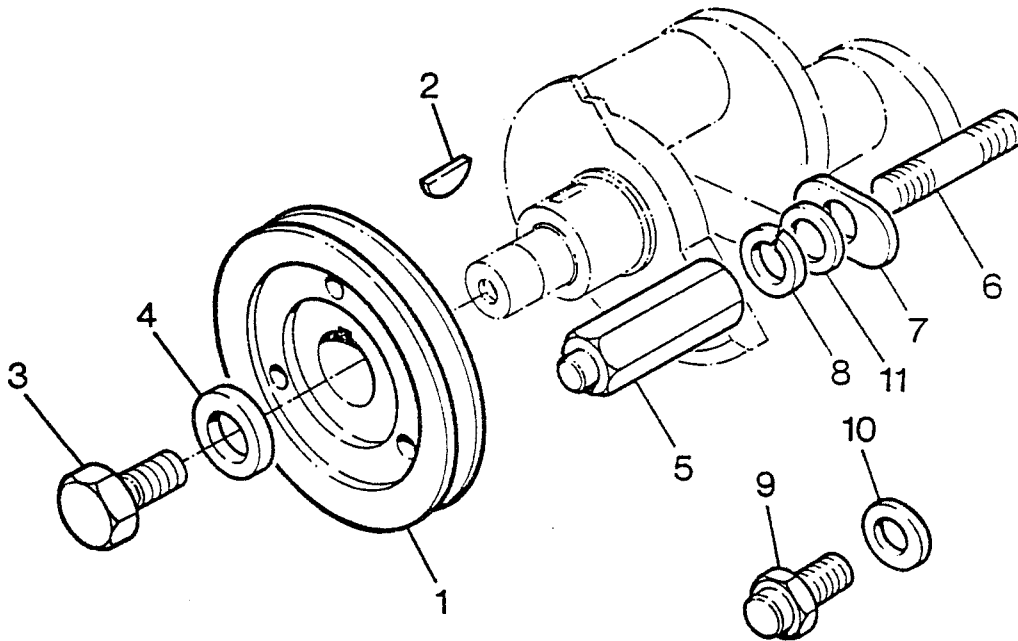
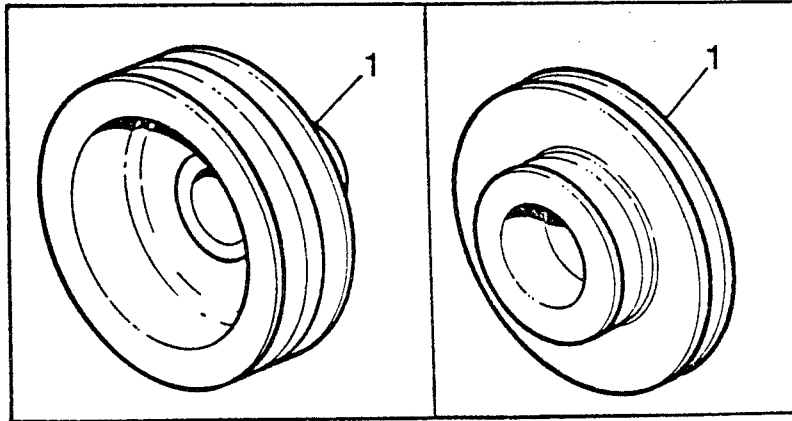


FRONT END DRIVE INPUT
 PUISSANCE ABSORBEE A L'AVANT
 ENTRADA DEL MANDO DELANTERO

1	31147637	1	PULLEY	POULIE	POLEA
2	0500006	1	KEY	CLAVETTE	LLAVE
3	32162316	1	SCREW	VIS	TORNILLO
4	33124119	1	WASHER	RONDELLE	ARANDELA
5	32726511	1	PIN	GOUPILLE	PASADOR
6	0826248	1	STUD	GOUJON	ESPARRAGO
7	36151505	1	WASHER	RONDELLE	ARANDELA
8	0920053	1	WASHER	RONDELLE	ARANDELA

*
 OTHER REFERENCE NOS. NOT APPLICABLE
 NON APPLICABLE POUR LES AUTRES NOS. REPERES
 NO SE APLICAN LOS OTROS NOS. DE REFERENCIA

NAAO KBHE



KDHE00042

“A”

FRONT END DRIVE OUTPUT
PUISSANCE DEVELOPEE A L'AVANT
SALIDA DEL MANDO DELANTERO

1 32461313

1 EXTENSION

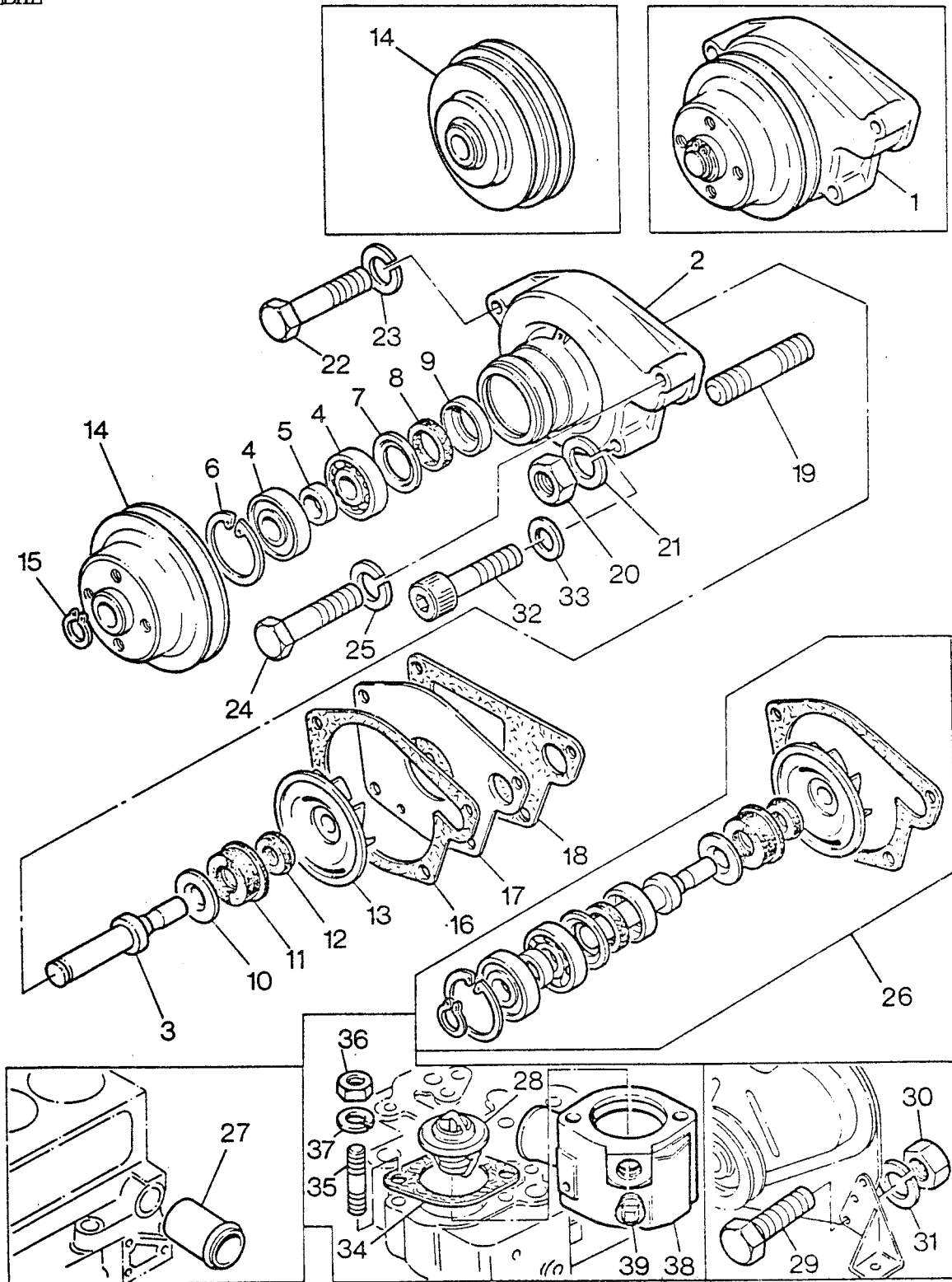
RALLONGE

EXTENSION

*

OTHER REFERENCE NOS. NOT APPLICABLE
NON APPLICABLE POUR LES AUTRES NOS. REPERES
NO SE APLICAN LOS OTROS NOS. DE REFERENCIA

NAAO LBHE



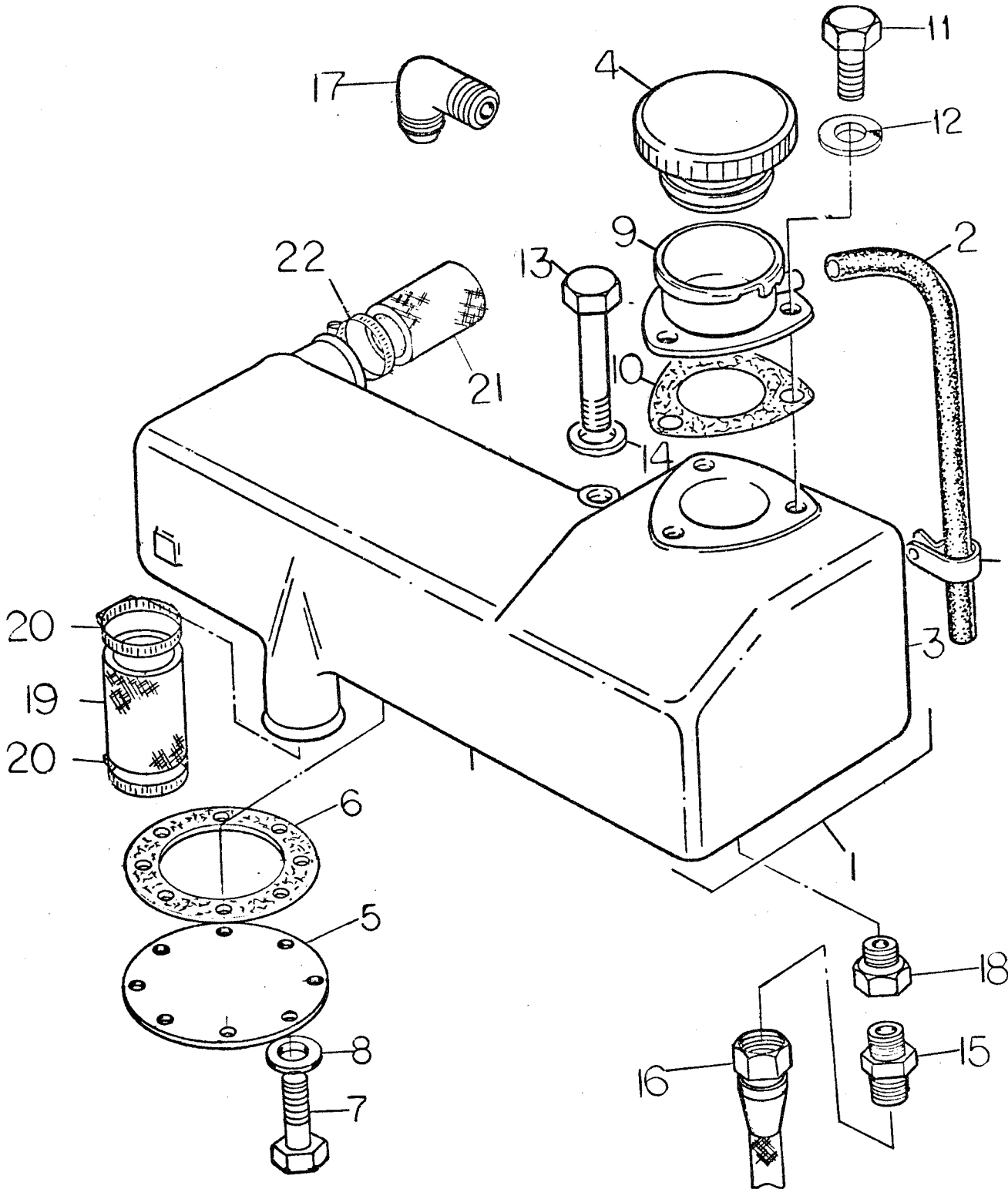
WATER PUMP, HEADER TANK, HEAT EXCHANGER
 POMPE A EAU, TETE RESEVOIR, REFROIDISSEUR
 BOMBA DEL AGUA, CULATA TANQUE, ENFRIADOR

1	41312449		1	PUMP ASSY	POMPE	BOMBA
2		1 41312449	1	PUMP ASSY	POMPE	BOMBA
3		1 89029	1	PUMP ASSY	POMPE	BOMBA
4		1 89029	2	PUMP ASSY	POMPE	BOMBA
5		1 89029	1	PUMP ASSY	POMPE	BOMBA
6	0170046	1 A	1	CIRCLIP	SEGMENT D'ARRET	CIRCLIP
7		1 89029	1	CIRCLIP	SEGMENT D'ARRET	CIRCLIP
8	33813313	1 A	1	SEAL	BAGUE ETANCHEITE	RETEN
9		1 89029	1	SEAL	BAGUE ETANCHEITE	RETEN
10		1 89029	1	SEAL	BAGUE ETANCHEITE	RETEN
11	2415217	1 A	1	INSERT	DOUILLE	INSERCIION
12	2417204	1 A	1	SEAL	BAGUE ETANCHEITE	RETEN
13		1 89029	1	SEAL	BAGUE ETANCHEITE	RETEN
14	31145821	1	1	PULLEY	POULIE	POLEA
15	0170051	1 A	1	CIRCLIP	SEGMENT D'ARRET	CIRCLIP
16	36866421	A	1	JOINT	ARTICULATION	CRUCETA CJTO
17	36243515		1	PLATE	PLAQUE	PLATO
18	36866713		1	JOINT	ARTICULATION	CRUCETA CJTO
19	0826209		1	STUD	GOUJON	ESPARRAGO
20	0576002		1	NUT	ECROU	TUERCA
21	0920053		1	WASHER	RONDELLE	ARANDELA
22	0096236		2	SCREW	VIS	TORNILLO
23	0920053		2	WASHER	RONDELLE	ARANDELA
24	0096234		1	SETSCREW	VIS	TORNILLO
25	0920053		1	WASHER	RONDELLE	ARANDELA
26	89029		X	KIT	JEU	JUEGO
28	2485608		1	THERMOSTAT	THERMOSTAT	TERMOSTATO
34	36834118		1	JOINT	ARTICULATION	CRUCETA CJTO
35	0826512		1	STUD	GOUJON	ESPARRAGO
36	0576051		1	NUT	ECROU	TUERCA
37	0920054		1	WASHER	RONDELLE	ARANDELA

A ALSO INCLUDED IN REPAIR KIT
 INCLUS AUSSIE DANS JEU
 TAMBIEN INCLUDA EN LA JUEGO

* OTHER REFERENCE NOS. NOT APPLICABLE
 NON APPLICABLE POUR LES AUTRES NOS. REPERES
 NO SE APLICAN LOS OTROS NOS. DE REFERENCIA

NAAO .LBHE



WATER PUMP, HEADER TANK, HEAT EXCHANGER
 POMPE A EAU, TETE RESEVOIR, REFROIDISSEUR
 BOMBA DEL AGUA, CULATA TANQUE, ENFRIADOR

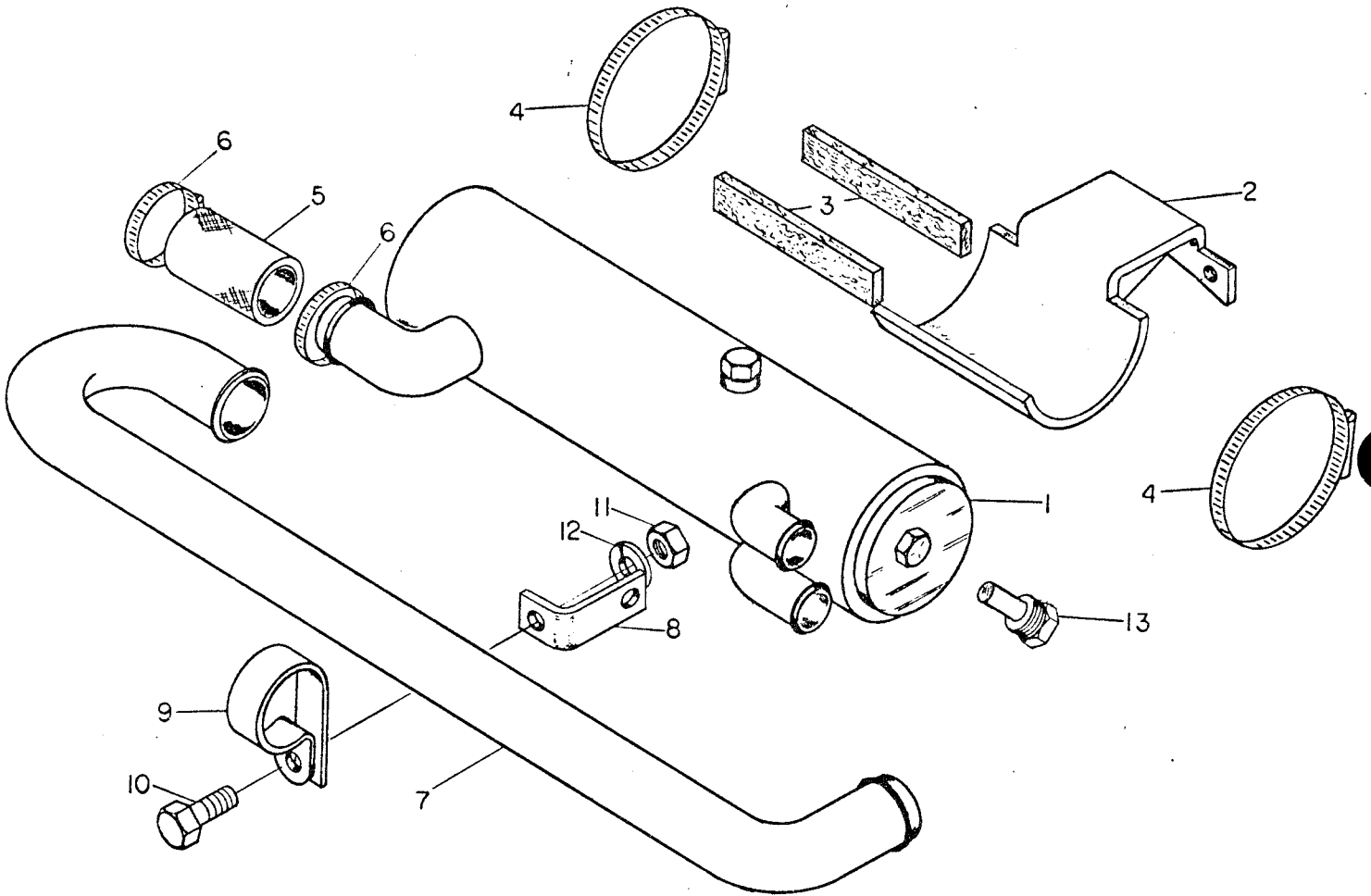
1	NA001074		1	HEADER TANK	RESEVOIR	TANQUE
2	NA001861	1	1	TUBE	TUBE	CONDUCTO
3		1	NA001074	TANK	RESEVOIR	TANQUE
4	NA004485	1	1	CAP	CHAPEAU	TAPON
5	NA001330	1	1	PLATE	PLAQUE	PLATO
6	NA000542	1	1	GASKET	JOINT	JUNTA
7	0748353	1	8	SCREW	VIS	TORNILLO
8	0920052	1	8	WASHER	RONDELLE	ARANDELA
9	2487949	1	1	FLANGE	FLASQUE	PLETINA
10	36861446	1	1	JOINT	ARTICULATION	CRUCETA CJTO
11	0748411	1	3	SCREW	VIS	TORNILLO
12	0920053	1	3	WASHER	RONDELLE	ARANDELA
13	0096445		1	SCREW	VIS	TORNILLO
14	0920004		2	WASHER	RONDELLE	ARANDELA
15	NA000036		1	CONNECTION	CONNEXION	VARILLA CONEX
16	NA000258		1	PIPE	CANALISATION	TUBERIA
17	NA000041		1	CONNECTION	CONNEXION	VARILLA CONEX
18	NA000257		1	REDUCER	REDUCTEUR	REDUCTOR
19	0200044		1	HOSE	DURIT EAU	MANGUITO
20	0180066		2	CLAMP	COLLIER	ABRAZADERA
21	0200044		1	HOSE	DURIT EAU	MANGUITO
22	0180066		2	CLAMP	COLLIER	ABRAZADERA



WATER PUMP, HEADER TANK AND
HEAT EXCHANGER

PLATE "NB"

NAAO.LBHE



LBNE00034

"NB"

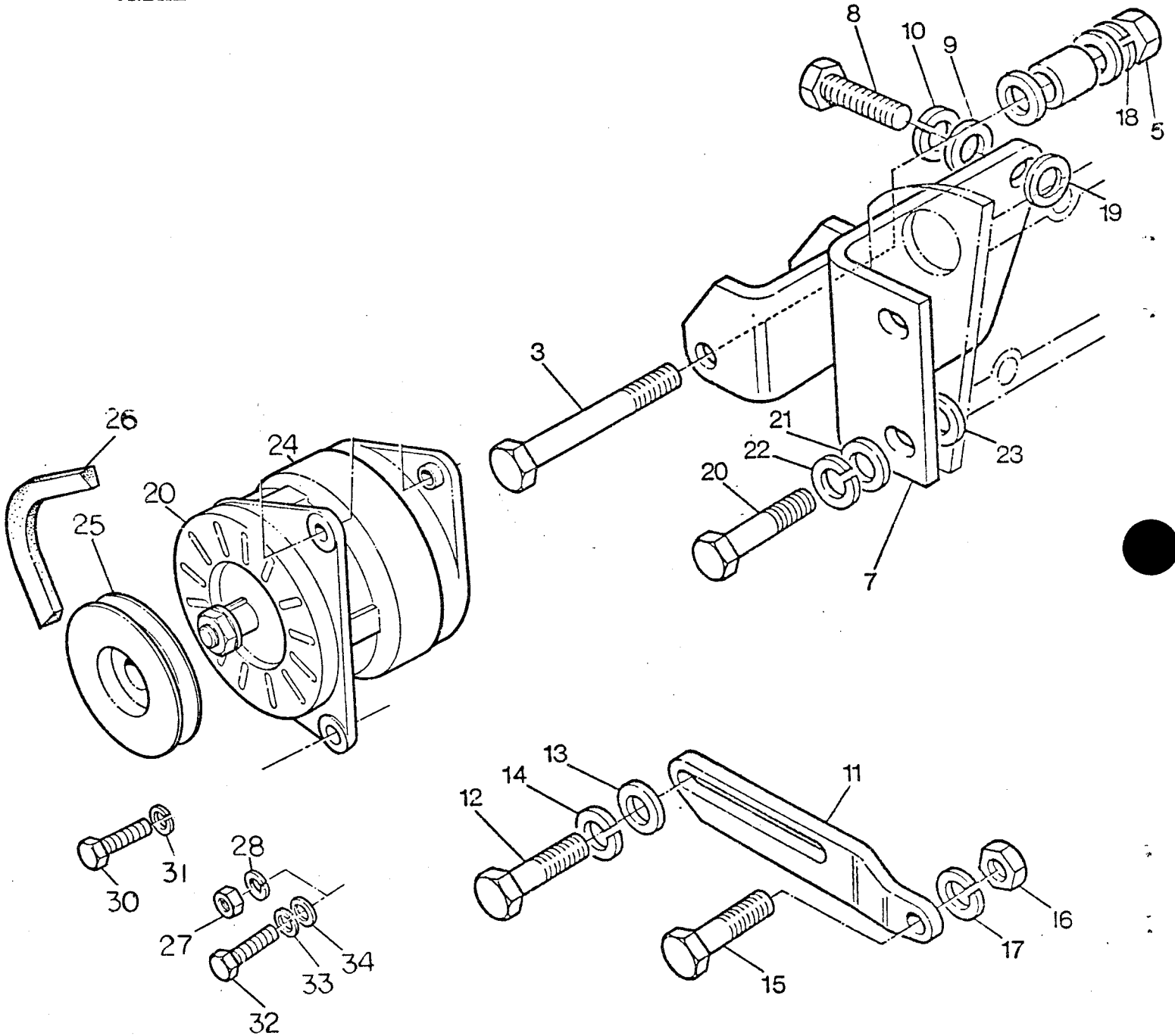
WATER PUMP, HEADER TANK, HEAT EXCHANGER
 POMPE A EAU, TETE RESEVOIR, REFROIDISSEUR
 BOMBA DEL AGUA, CULATA TANQUE, ENFRIADOR

1	NA001406		1	HEAT EXCHANGER	REFROIDISSEUR	ENFRIADOR
2	NA001081		1	BRACKET	SUPPORT FIXATION	APLIQUE
3	NA001080		2	PAD	PLAQUETTE	ALMOHADILLA
4	0180072		2	CLIP	CIRCLIP	CRAPA
5	0200086		1	HOSE	DURIT EAU	MANGUITO
6	0180066		2	CLAMP	COLLIER	ABRAZADERA
7	NA001076		1	PIPE	CANALISATION	TUBERIA
8	NA001077		1	BRACKET	SUPPORT FIXATION	APLIQUE
9	NA001078		1	CLIP	CIRCLIP	CRAPA
10	0748413		1	BOLT	BOULON	TORNILLO PASANTE
11	0571415		1	NUT	ECROU	TUERCA
12	0920053		1	WASHER	RONDELLE	ARANDELA
13	NA001397	1	1	ZINC PENCIL	RESISTANCE	RESISTENCIA

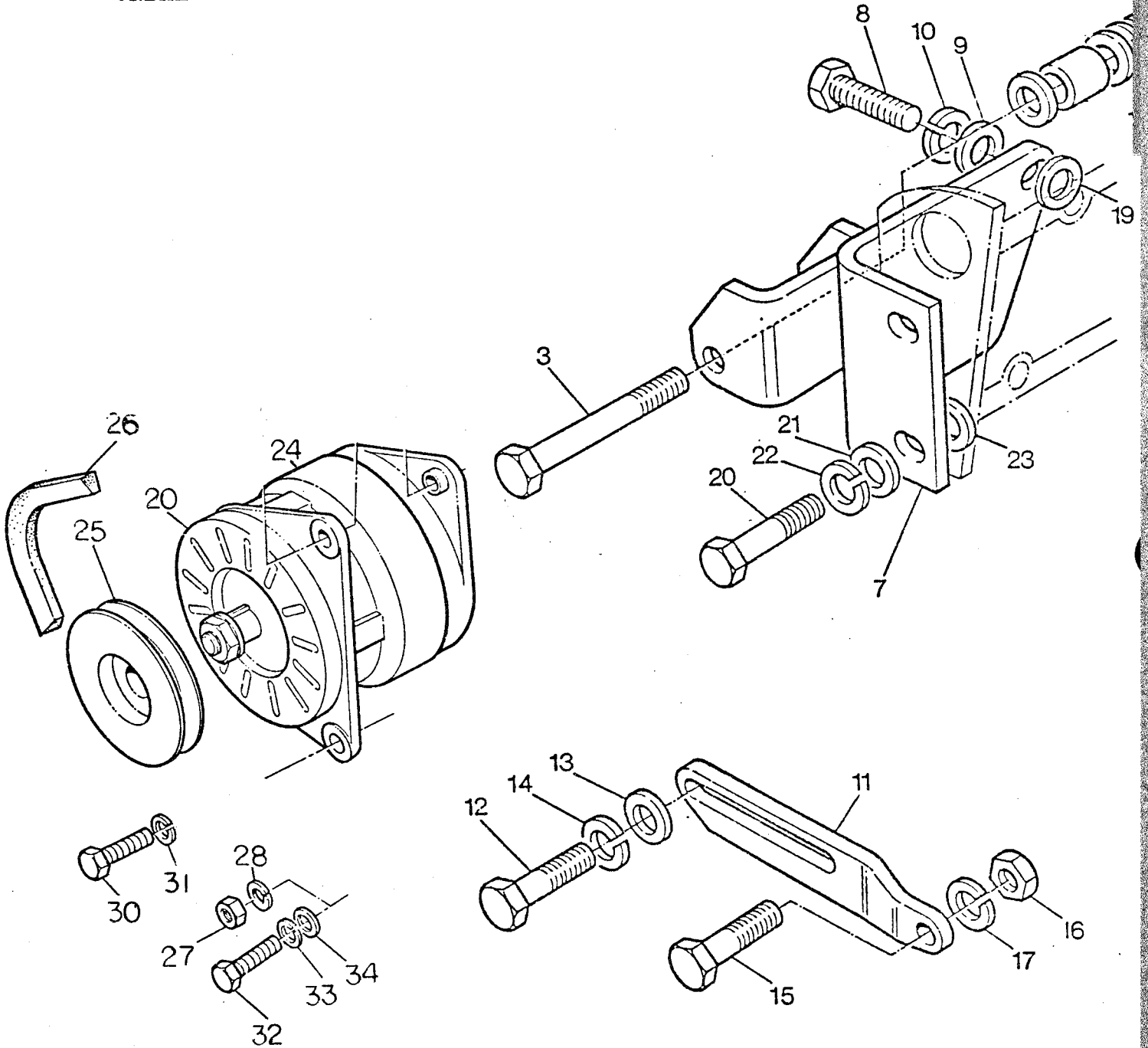
*

OTHER REFERENCE NOS. NOT APPLICABLE
 NON APPLICABLE POUR LES AUTRES NOS. REPERES
 NO SE APLICAN LOS OTROS NOS. DE REFERENCIA

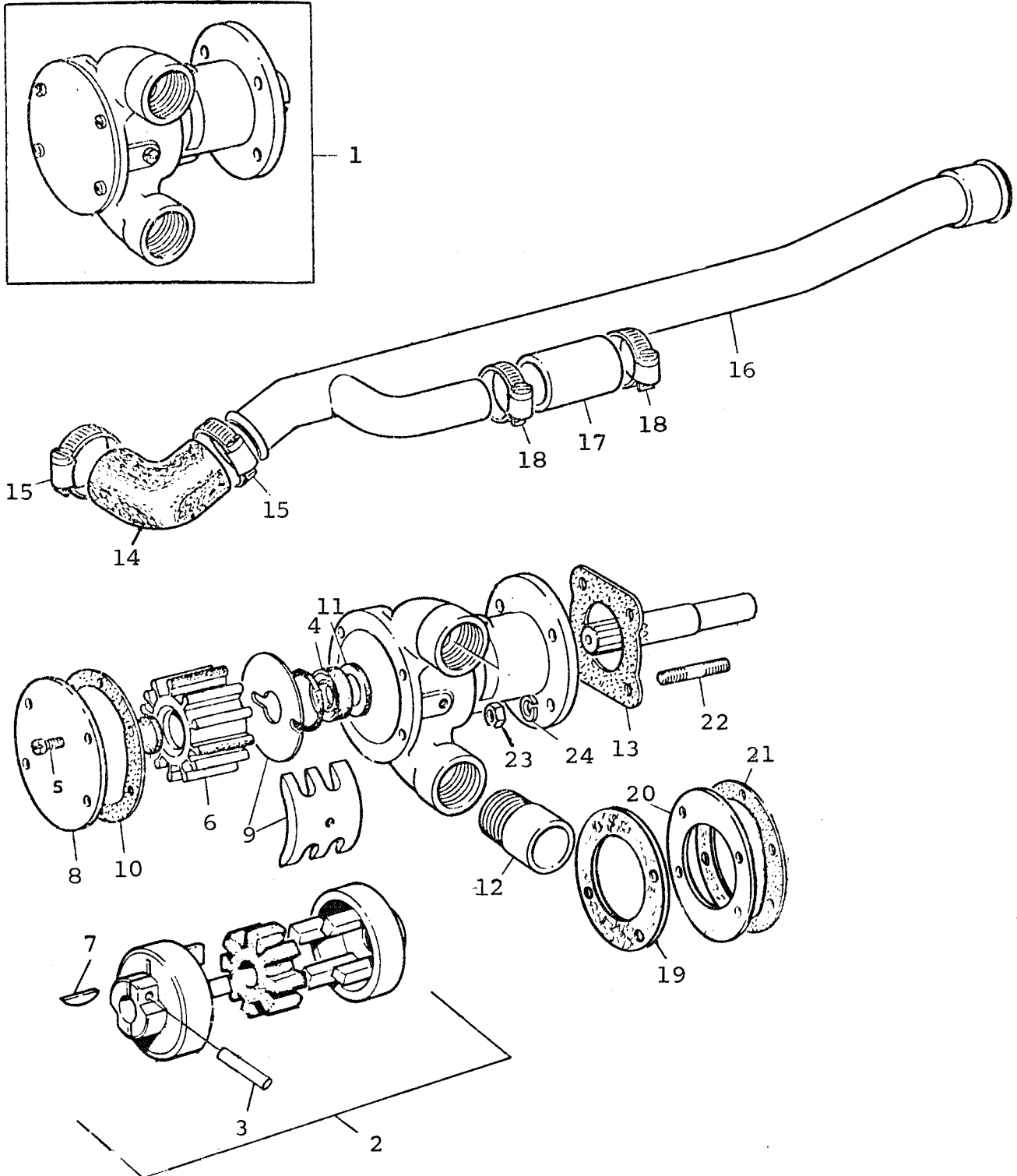
NAAO .NDHE



NAAO .NDHE



NAAO.QBHE



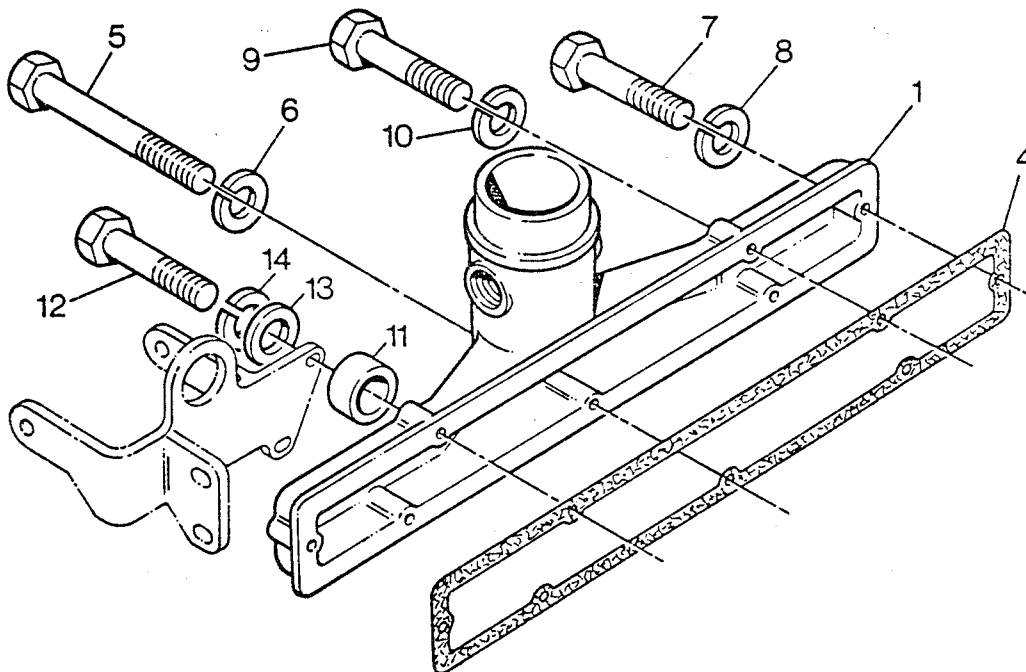
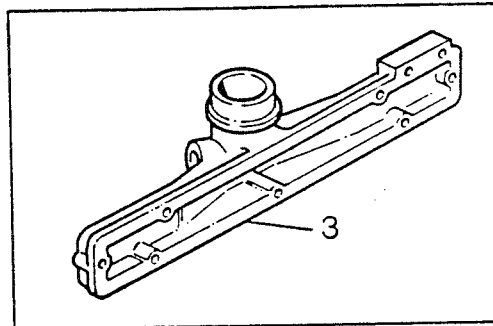
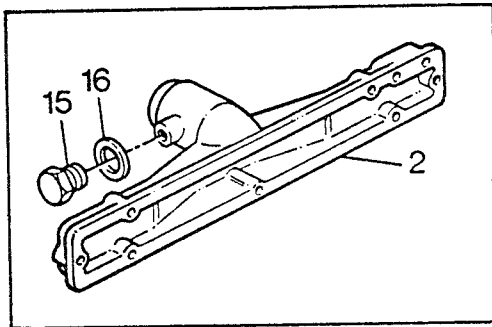
QBNE00003

"NA"

GEAR DRIVEN SEA WATER PUMP
 PIGNON ENTRAINEMENT POMPE A EAU DE MER
 BOMBA PARA AGUA DEL MAR CON ENGRANAJES

1	NA003335		1	SEA WATER PUMP	POMPE EAU DE MER	BOMBA PARA AGUA
2	NA900076	1	1	SHAFT & COUPLING	ARBRE ET CRABOT	ACOPLAMIENTO
3	NA900077	1	1	PIN	GOUPILLE	PASADOR
4	NA900075	1	2	BALL BEARING	ROULEMENT BILLES	COJINETE BOLAS
5	NA900060	1	4	SCREW	VIS	TORNILLO
6	NA900010	1	1	IMPELLER	TURBINE	TURBINA
7	NA900009	1	1	KEY	CLAVETTE	LLAVE
8	NA900058	1	1	COVER	COUVERCLE	CUBIERTA
9	NA900057	1	1	CAM	CAME	LEVA
10	NA900017	1	1	GASKET	JOINT	JUNTA
11	NA900011	1	1	SEAL	BAGUE ETANCHEITE	RETEN
12	33286109		2	CONNECTION	CONNEXION	VARILLA CONEX
13	33825411		1	JOINT	ARTICULATION	CRUCETA CJTO
14	NA001370		1	HOSE	DURIT EAU	MANGUITO
15	0180106		2	CLIP	CIRCLIP	CRAPA
16	NA001073		1	PIPE	CANALISATION	TUBERIA
17	0200092		1	HOSE	DURIT EAU	MANGUITO
18	0180106		2	CLIP	CIRCLIP	CRAPA
19	33825411		1	JOINT	ARTICULATION	CRUCETA CJTO
20	33154118		1	PLATE	PLAQUE	PLATO
21	33825411		1	JOINT	ARTICULATION	CRUCETA CJTO
22	0826268		4	STUD	GOUJON	ESPARRAGO
23	0576002		4	NUT	ECROU	TUERCA
24	0920053		4	WASHER	RONDELLE	ARANDELA

NAAO TBHE



TBHE00296

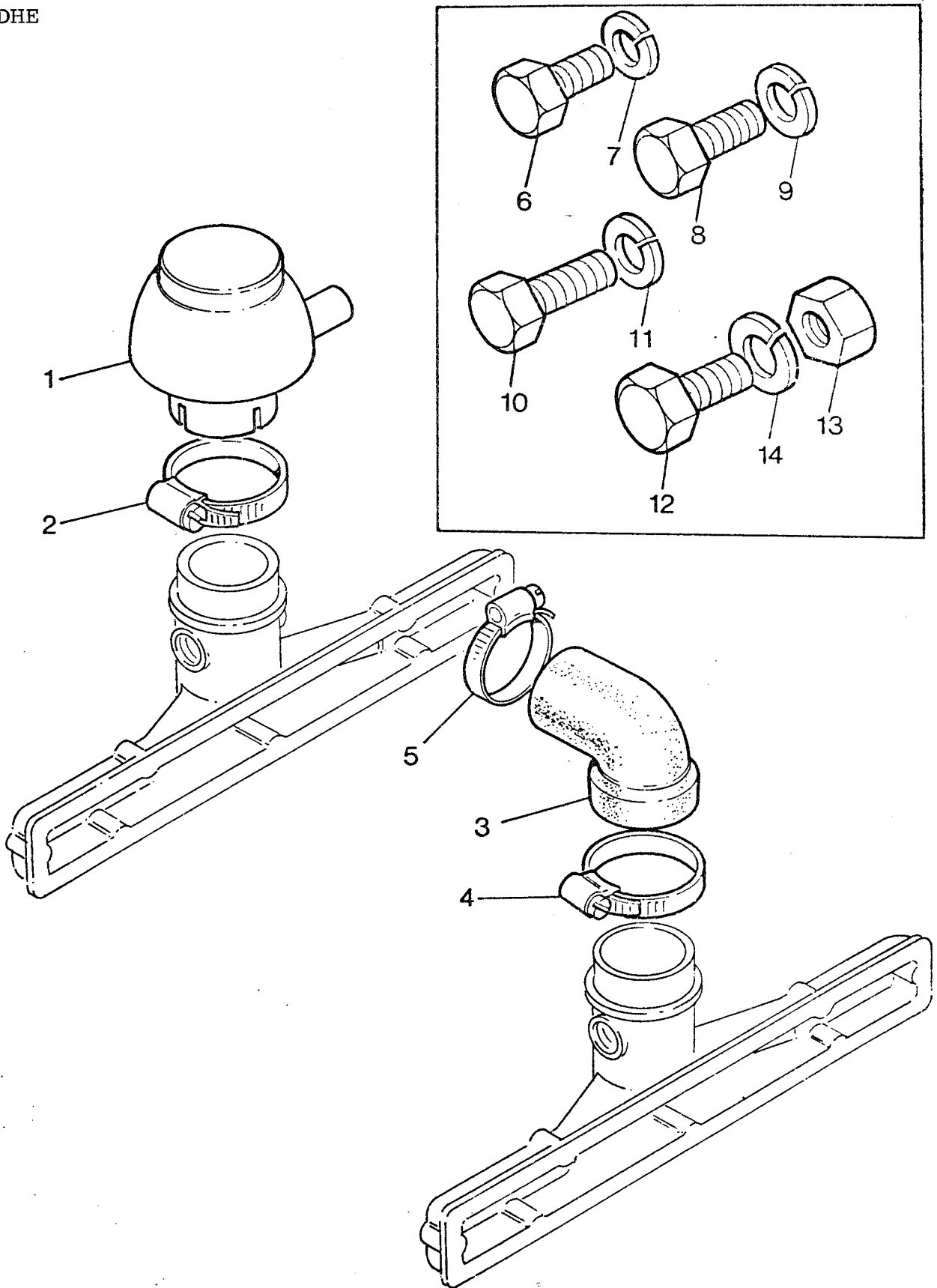
“A”

INDUCTION MANIFOLD
COLLECTEUR D'ADMISSION
MULTIPLE DE ADMISION

3	37786664	1	MANIFOLD	COLLECTEUR	COLECTOR MULTIPL
4	36846415	1	JOINT	ARTICULATION	CRUCETA CJTO
5	0096240	1	SCREW	VIS	TORNILLO
6	0920053	1	WASHER	RONDELLE	ARANDELA
7	0096231	2	SETSCREW	VIS	TORNILLO
8	0920053	2	WASHER	RONDELLE	ARANDELA
9	0096233	2	SCREW	VIS	TORNILLO
10	0920053	2	WASHER	RONDELLE	ARANDELA
13	0920484	2	DISTANCE-PIECE	ENTRETOISE	ESPACIADOR

* OTHER REFERENCE NOS. NOT APPLICABLE
NON APPLICABLE POUR LES AUTRES NOS. REPERES
NO SE APLICAN LOS OTROS NOS. DE REFERENCIA

NAAO .TDHE



AIR CLEANER & RESTRICTION INDICATOR
FILTRE A AIR ET INDICATEUR COLMATAGE
FILTRO DEL AIR E INDICADOR DE OBSTRUCCION

1 0240568
2 2481897

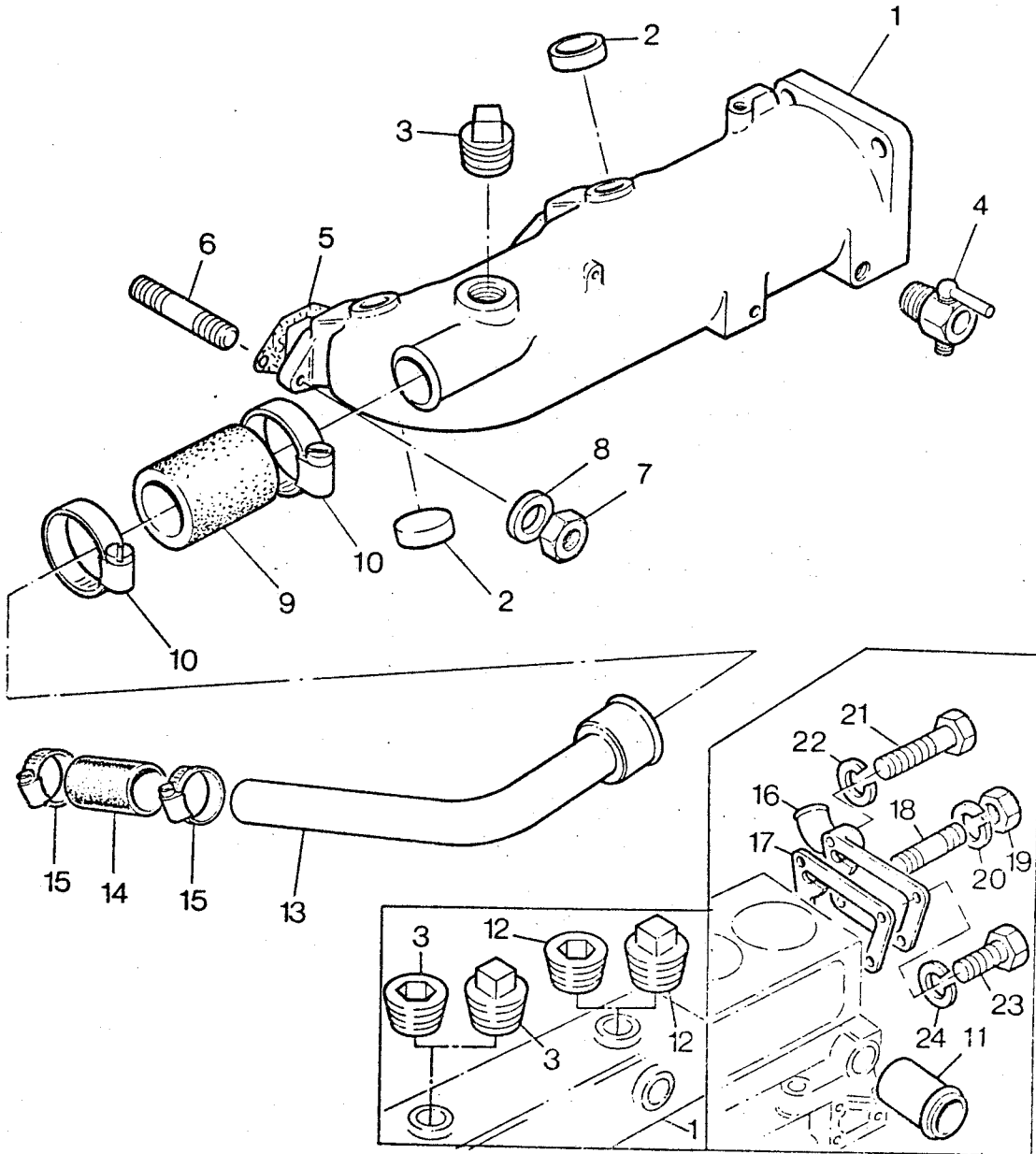
1 COVER
1 CLIP

COUVERCLE
CIRCLIP

CUBIERTA
CRAPA

* OTHER REFERENCE NOS. NOT APPLICABLE
NON APPLICABLE POUR LES AUTRES NOS. REPERES
NO SE APLICAN LOS OTROS NOS. DE REFERENCIA

NAAO UBHE

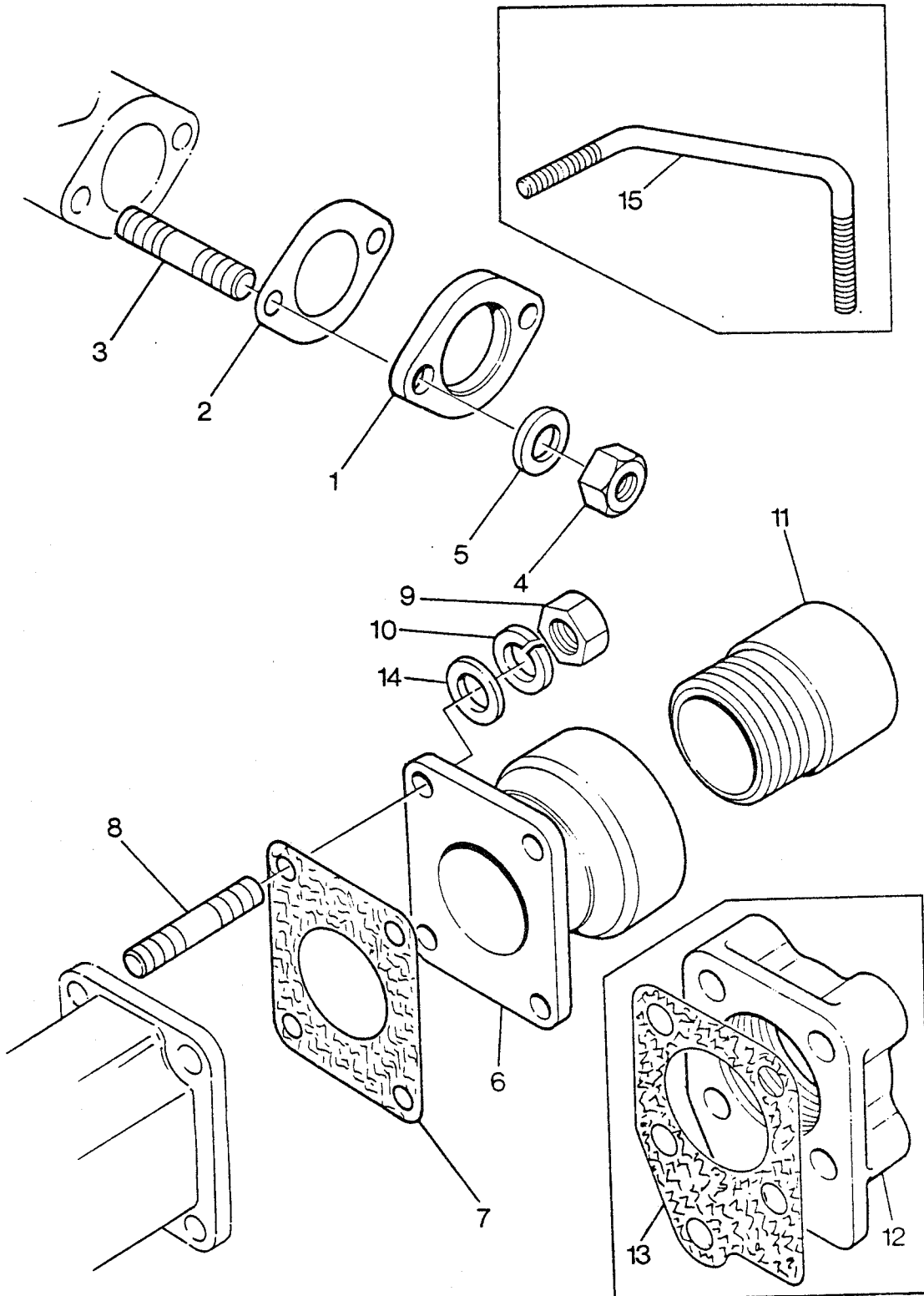


EXHAUST MANIFOLD
COLLECTEUR ECHAPPEMENT
MULTIPLE DE ESCAPE

1	86009	1	MANIFOLD	COLLECTEUR	COLECTOR MULTIPL
3	2431105	1	PLUG	BOUCHON	TAPON ROSCADO
5	0490656	2	JOINT	ARTICULATION	CRUCETA CJTO
6	0826260	4	STUD	GOUJON	ESPARRAGO
7	0576064	4	NUT	ECROU	TUERCA
8	0920003	4	WASHER	RONDELLE	ARANDELA
11	0201297	1	CONNECTION	CONNEXION	VARILLA CONEX
12	0650540	X	PLUG	BOUCHON	TAPON ROSCADO

* OTHER REFERENCE NOS. NOT APPLICABLE
NON APPLICABLE POUR LES AUTRES NOS. REPERES
NO SE APLICAN LOS OTROS NOS. DE REFERENCIA

NAAO UDHE

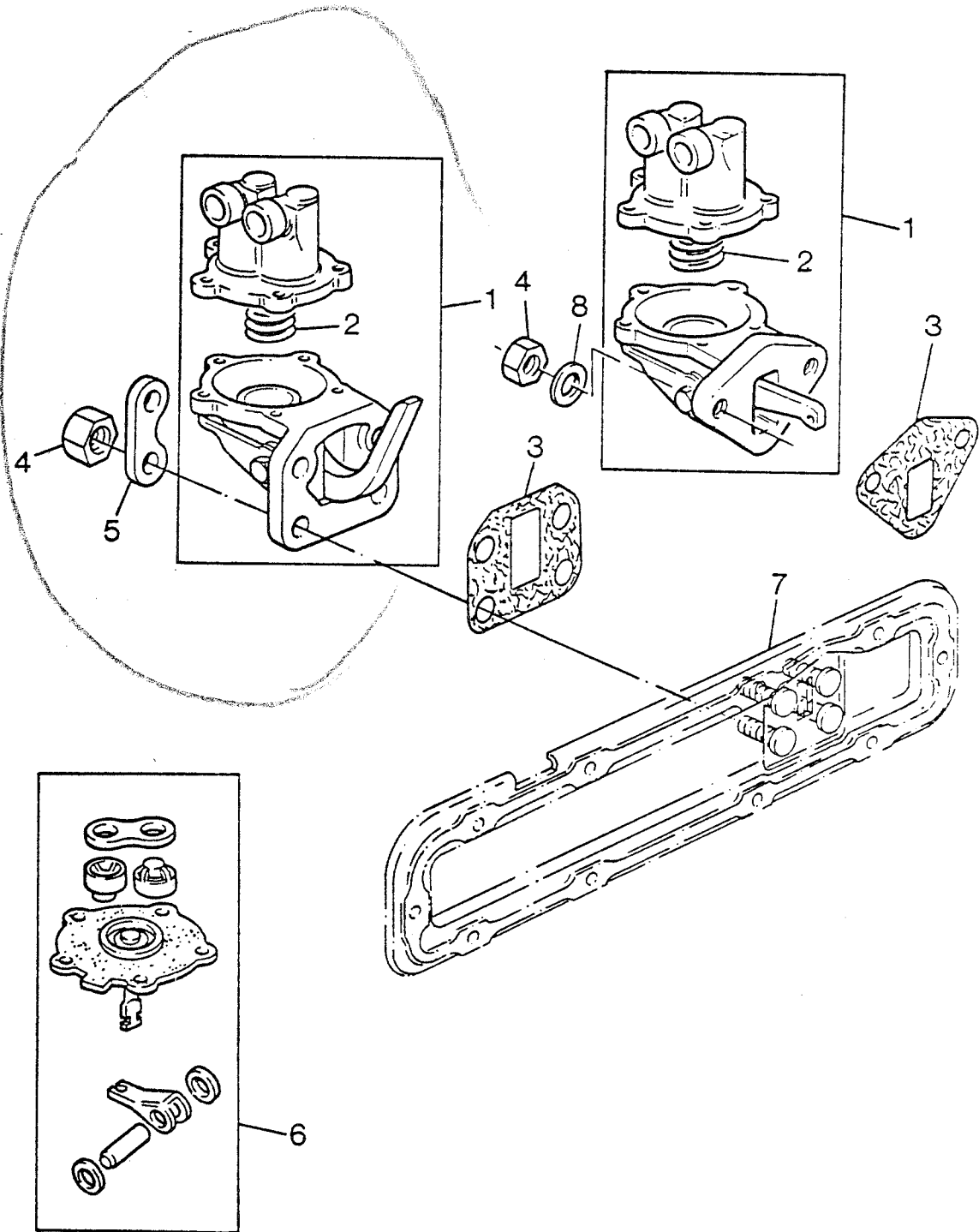


EXHAUST OUTLET FLANGE
BRIDE DE SORTIE ECHAPPEMENT
BRIDE DE SALIDA DE ESCAPE

8	0826477	5	STUD	GOUJON	ESPARRAGO
9	0576065	5	NUT	ECROU	TUERCA
12	37586071	1	FLANGE	FLASQUE	PLETINA
13	36855108	1	GASKET	JOINT	JUNTA
14	0920004	5	WASHER	RONDELLE	ARANDELA

* OTHER REFERENCE NOS. NOT APPLICABLE
NON APPLICABLE POUR LES AUTRES NOS. REPERES
NO SE APLICAN LOS OTROS NOS. DE REFERENCIA

NAAO VBHE



VBHE00588

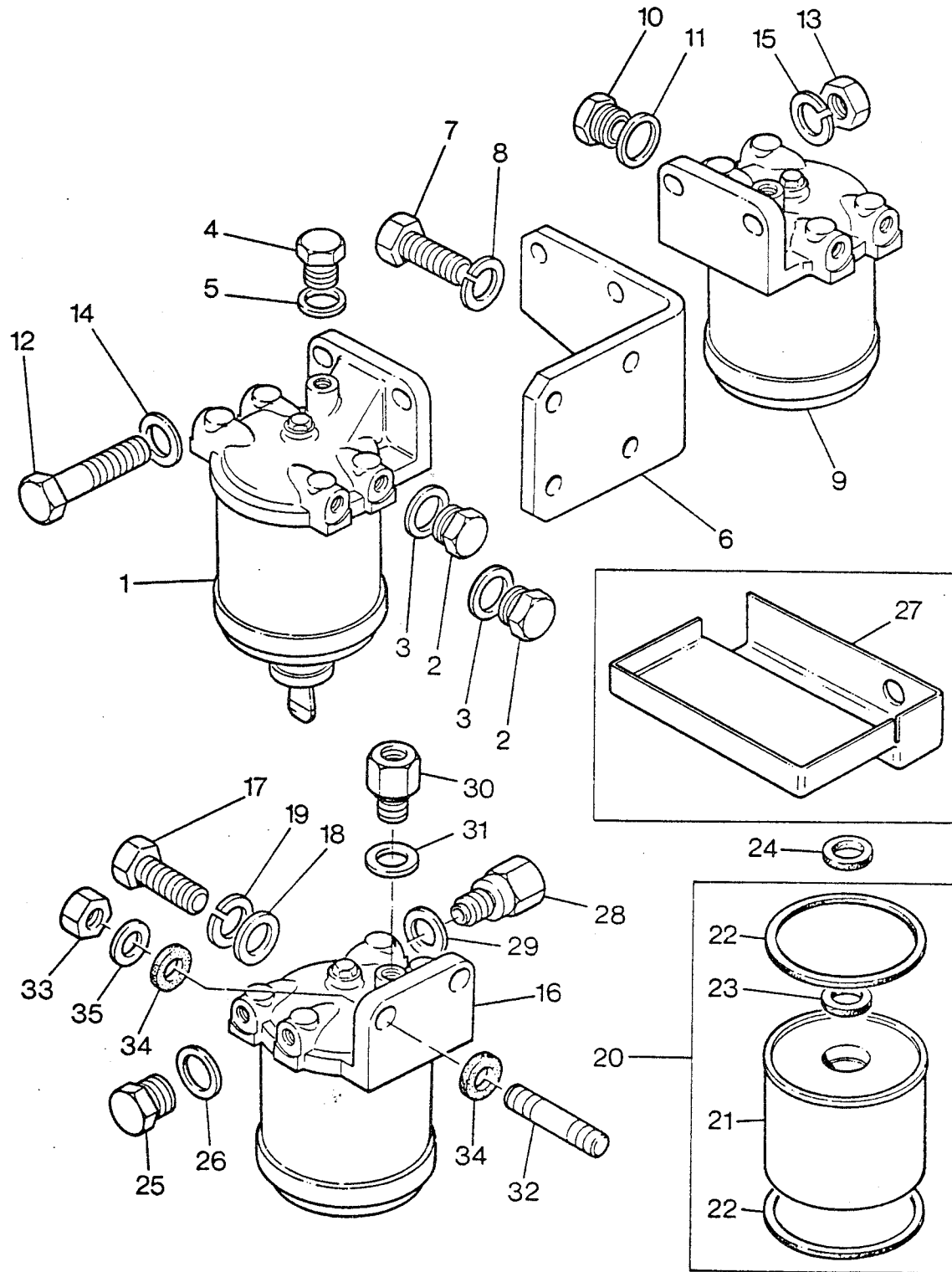
"A"

LOW PRESSURE FUEL SYSTEM
CIRCUIT CARBURANT BASSE PRESSION
SISTEMA DE COMBUSTIBLE A BAJA PRESION

1	2641702		1	PUMP	POMPE	BOMBA
2	0780240	1	1	SPRING	RESSORT	MUELLE
3	36851113		1	JOINT	ARTICULATION	CRUCETA CJTO
4	33221115		4	NUT	ECROU	TUERCA
5	36241316		2	PLATE	PLAQUE	PLATO
6	26410096		X	REPAIR KIT	REPARATION JEU	JUEGO REPARACION

* OTHER REFERENCE NOS. NOT APPLICABLE
NON APPLICABLE POUR LES AUTRES NOS. REPERES
NO SE APLICAN LOS OTROS NOS. DE REFERENCIA

NAAO VBHE



LOW PRESSURE FUEL SYSTEM
 CIRCUIT CARBURANT BASSE PRESSION
 SISTEMA DE COMBUSTIBLE A BAJA PRESION

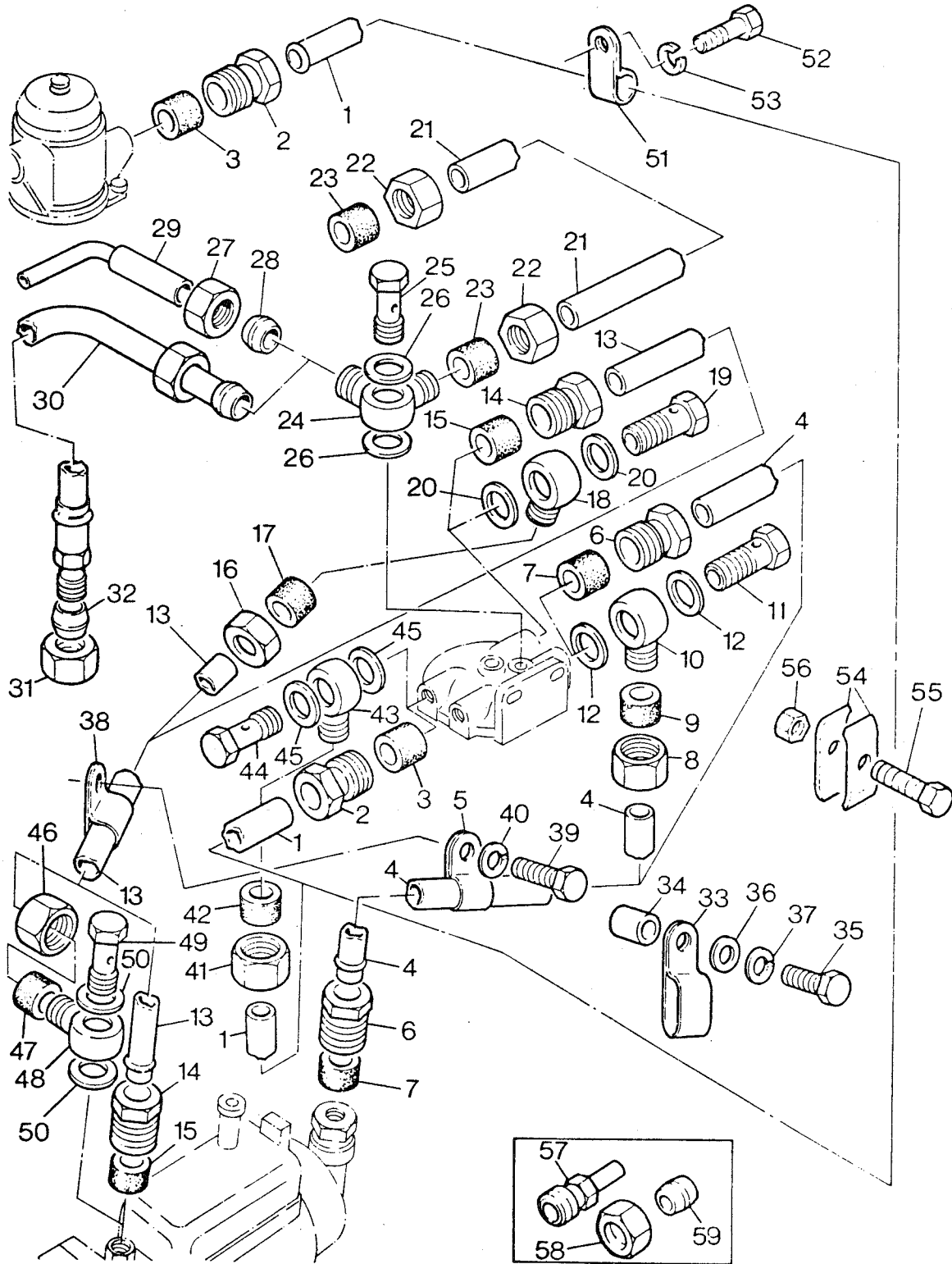
16	2656613		1	FILTER	FILTRE	FILTRO
17	0746454		2	SCREW	VIS	TORNILLO
18	0920004		2	WASHER	RONDELLE	ARANDELA
19	0920054		2	WASHER	RONDELLE	ARANDELA
20	26560017	A	X	KIT	JEU	JUEGO
20	26561117	B	X	ELEMENT KIT	JEU	JUEGO
22	0490786	20	2	SEAL	BAGUE ETANCHEITE	RETEN
23	26560014	20	1	SEAL	BAGUE ETANCHEITE	RETEN
24	26560016		1	WASHER	RONDELLE	ARANDELA
25	0650204		1	PLUG	BOUCHON	TAPON ROSCADO
26	0920112		1	WASHER	RONDELLE	ARANDELA

A ALTERNATIVE 26561117
 ALTERNATIVE 26561117
 ALTERNATIVE 26561117

B ALTERNATIVE 26560017
 ALTERNATIVE 26560017
 ALTERNATIVE 26560017

* OTHER REFERENCE NOS. NOT APPLICABLE
 NON APPLICABLE POUR LES AUTRES NOS. REPERES
 NO SE APLICAN LOS OTROS NOS. DE REFERENCIA

NAAO VBHE

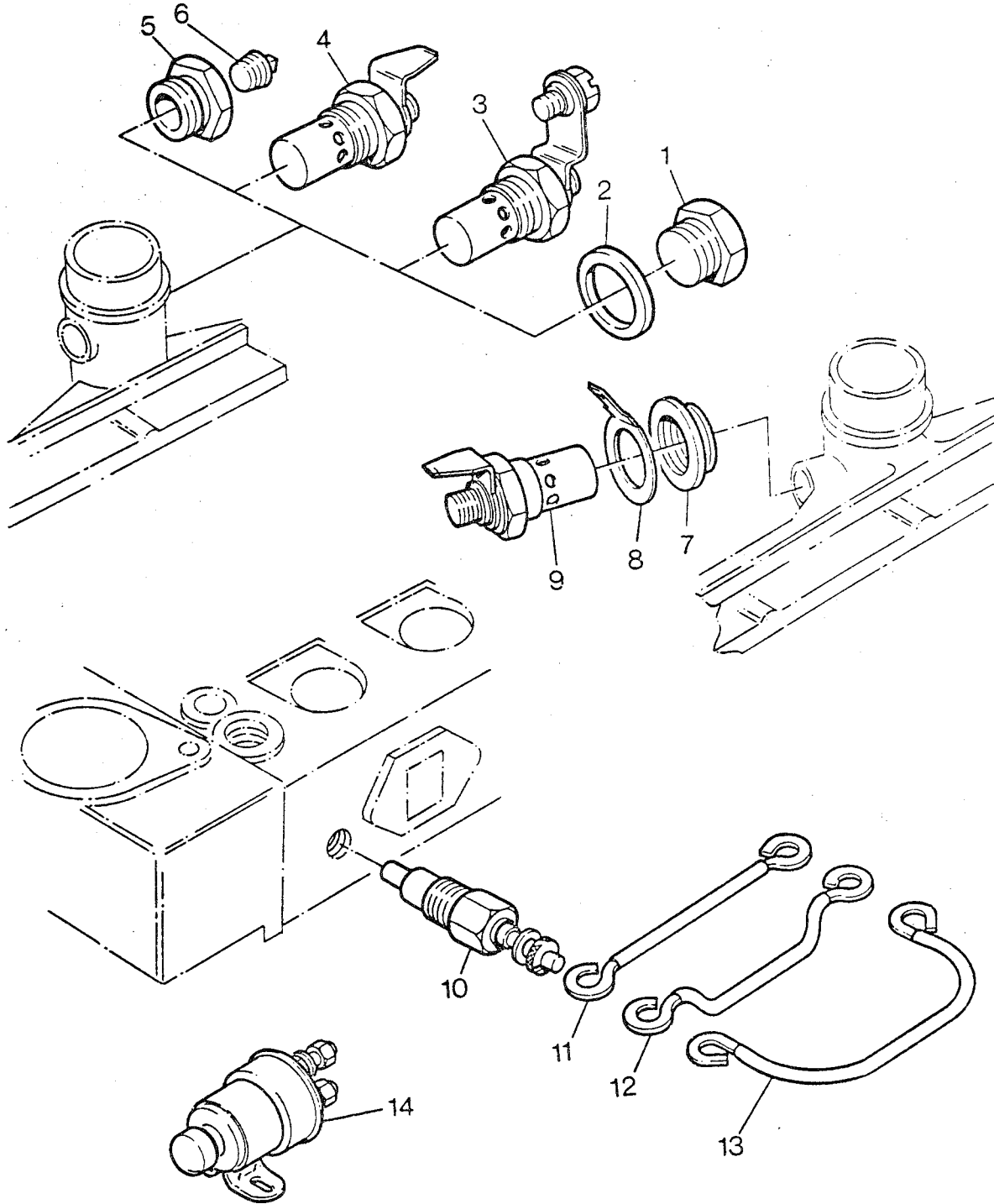


LOW PRESSURE FUEL SYSTEM
 CIRCUIT CARBURANT BASSE PRESSION
 SISTEMA DE COMBUSTIBLE A BAJA PRESION

1	35844057		1	PIPE	CANALISATION	TUBERIA
2	33532128	1	2	NUT	ECROU	TUERCA
3	33811113	1	2	OLIVE	OLIVE	OLIVA
4	35847108		1	PIPE	CANALISATION	TUBERIA
6	33532128	4	2	NUT	ECROU	TUERCA
7	33811113	4	2	OLIVE	OLIVE	OLIVA
13	35847308		1	PIPE ASSY	TUYAU	TUBO
14	33532128	13	2	NUT	ECROU	TUERCA
15	33811113	13	2	OLIVE	OLIVE	OLIVA
21	3438C001		1	PIPE	CANALISATION	TUBERIA
22	33225412		2	NUT	ECROU	TUERCA
23	33811112		2	OLIVE	OLIVE	OLIVA
24	0201397		1	CONNECTION	CONNEXION	VARILLA CONEX
25	0095344		1	BOLT	BOULON	TORNILLO PASANTE
26	0920146		2	WASHER	RONDELLE	ARANDELA
27	0576112		1	NUT	ECROU	TUERCA
28	0566003		1	OLIVE	OLIVE	OLIVA
33	36651119		1	CUP	COUPELLE	CUBETA
35	0746451		1	SCREW	VIS	TORNILLO
37	0920054		1	WASHER	RONDELLE	ARANDELA

* OTHER REFERENCE NOS. NOT APPLICABLE
 NON APPLICABLE POUR LES AUTRES NOS. REPERES
 NO SE APLICAN LOS OTROS NOS. DE REFERENCIA

NAAO WDHE

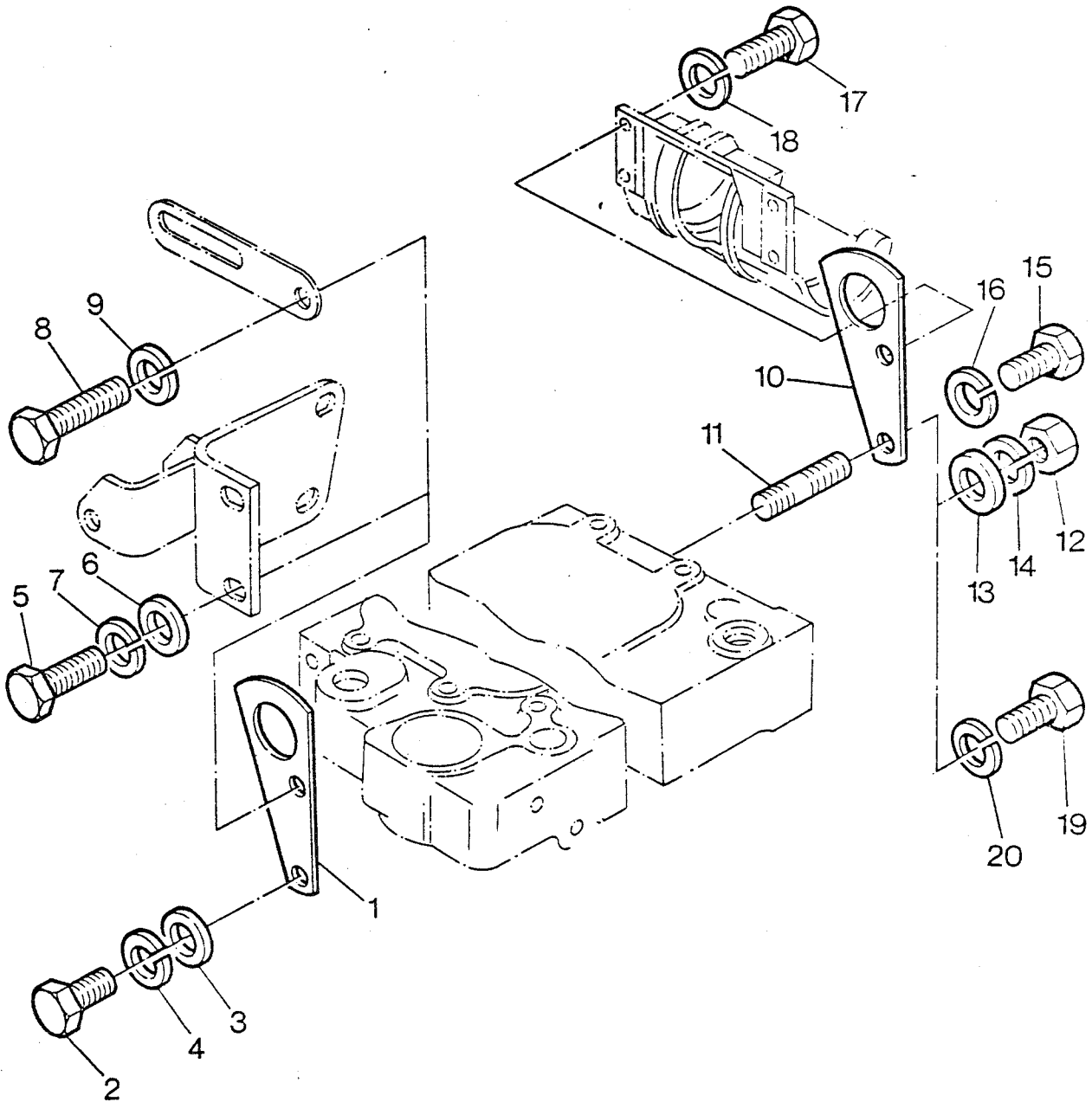


COLD START SYSTEM
DIPOSITIF DEPART A FROID
SISTEMA DE ARRANQUE EN TIEMPO FRIO

5	33536459	1	ADAPTOR	ADAPTATEUR	ADAPTADOR
6	0650594	1	PLUG	BOUCHON	TAPON ROSCADO

* OTHER REFERENCE NOS. NOT APPLICABLE
NON APPLICABLE POUR LES AUTRES NOS. REPERES
NO SE APLICAN LOS OTROS NOS. DE REFERENCIA

NAAO XBHE

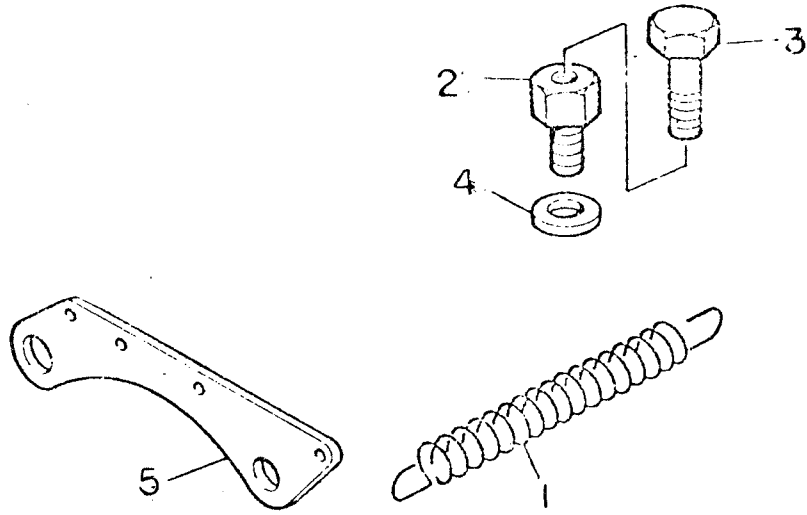


ENGINE LIFTING
LEVAGE MOTEUR
PLACA LEVANTADORAS DEL MOTOR

1	36255538	1	PLATE	PLAQUE	PLATO
10	36177427	1	PLATE	PLAQUE	PLATO
15	0746452	2	SETSCREW	VIS	TORNILLO
16	0920054	2	WASHER	RONDELLE	ARANDELA

* OTHER REFERENCE NOS. NOT APPLICABLE
NON APPLICABLE POUR LES AUTRES NOS. REPERES
NO SE APLICAN LOS OTROS NOS. DE REFERENCIA

NAAO.ZAHE



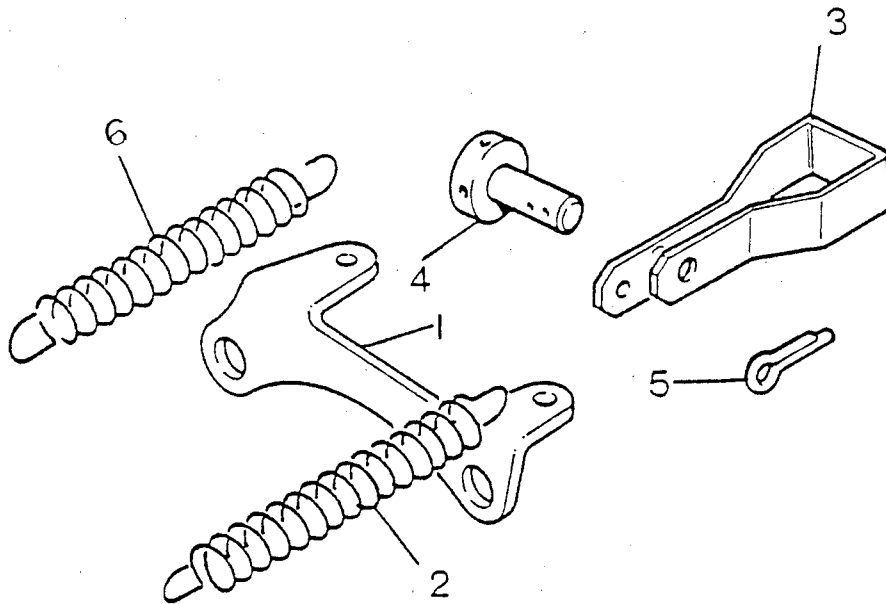
ZANE00022

"NA"

THROTTLE & STOP CONTROLS
CONTROLE ACCELERATION ET STOP
MANDOS DEL ACELERADOR Y PARADA

1	38152107	1	BRACKET	SUPPORT FIXATION	APLIQUE
2	31753114	1	SPRING	RESSORT	MUELLE
3	0996525	1	FORK-END	FOURCHETTE	HOROUILLA
4	0610837	1	PIN	GOUPILLE	PASADOR
5	0610042	1	SPLITPIN	GOUPILLE	PASADOR
6	31753114	1	SPRING	RESSORT	MUELLE
7	NA000204	1	THROTTLE KIT	ACCELERATEUR JEU	ACELERADOR KIT

NAAO.ZAHE



ZANE00023

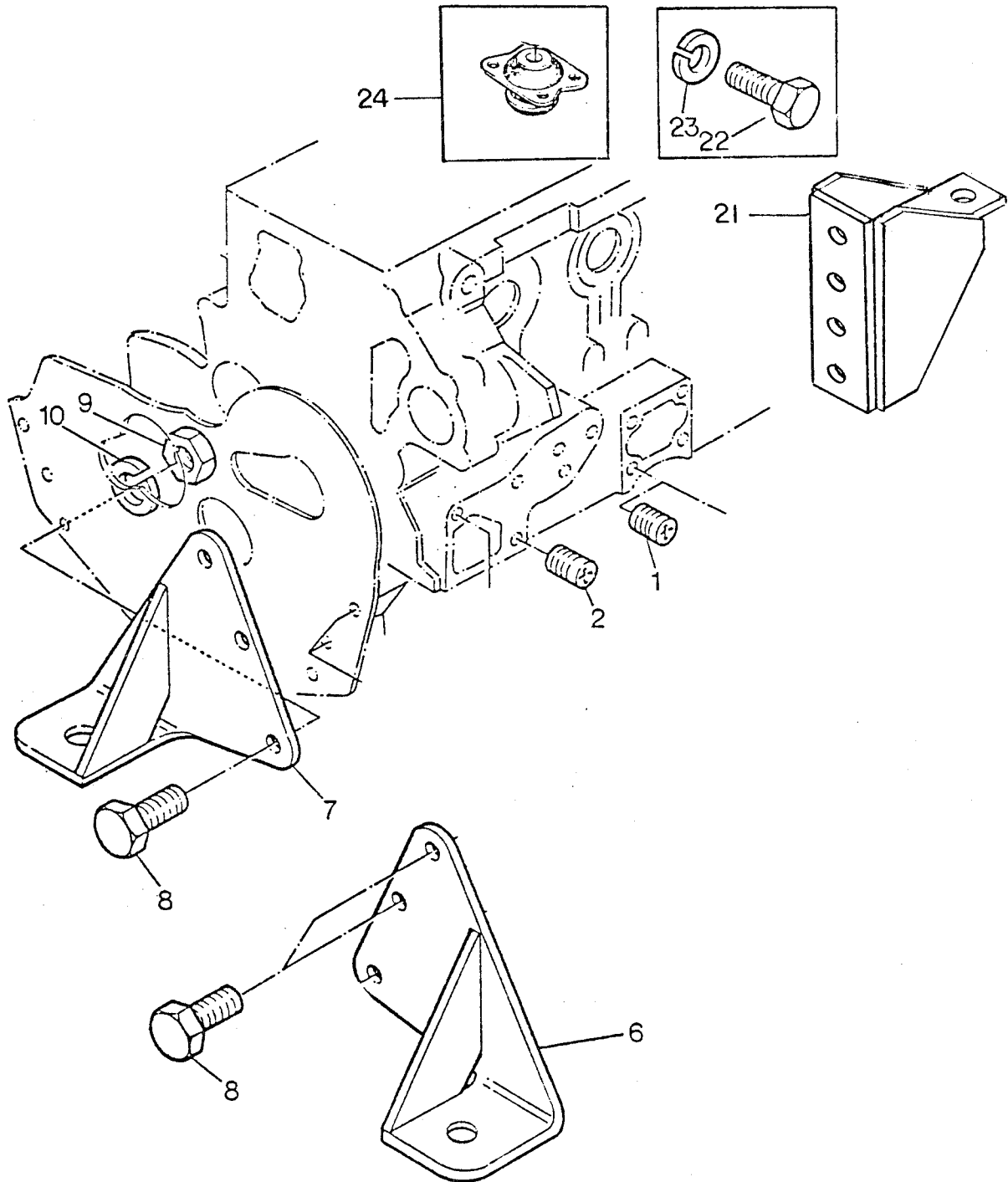
“NB”

THROTTLE & STOP CONTROLS
CONTROLE ACCELERATION ET STOP
MANDOS DEL ACELERADOR Y PARADA

1	NA004632	A	1	BRACKET	SUPPORT FIXATION	APLIQUE
2	0746454	A	2	SCREW	VIS	TORNILLO
3	0920054	A	2	WASHER	RONDELLE	ARANDELA
4	NA004634	A	1	SOLENOID	RELAIS SOLENOIDE	SELENOIDE
5	NA003484	A	2	SCREW	VIS	TORNILLO
6	2238151	A	2	NUT	ECROU	TUERCA
7	0920052	A	2	WASHER	RONDELLE	ARANDELA
8	NA003458	A	1	SWIVEL	TAQUET PIVOT	PLACA GIRATORIA
9	0576150	A	1	NUT	ECROU	TUERCA
10	NA004633	A	1	ROD	TRINGLE	VARILLA
11	0920024	A	1	WASHER	RONDELLE	ARANDELA
12	0610042	A	1	SPLITPIN	GOUPILLE	PASADOR

A USED ON OPTION NAK000066
 UTILISER AVEC NAK000066
 USAR CON NAK000066

NAAO .ZCHE

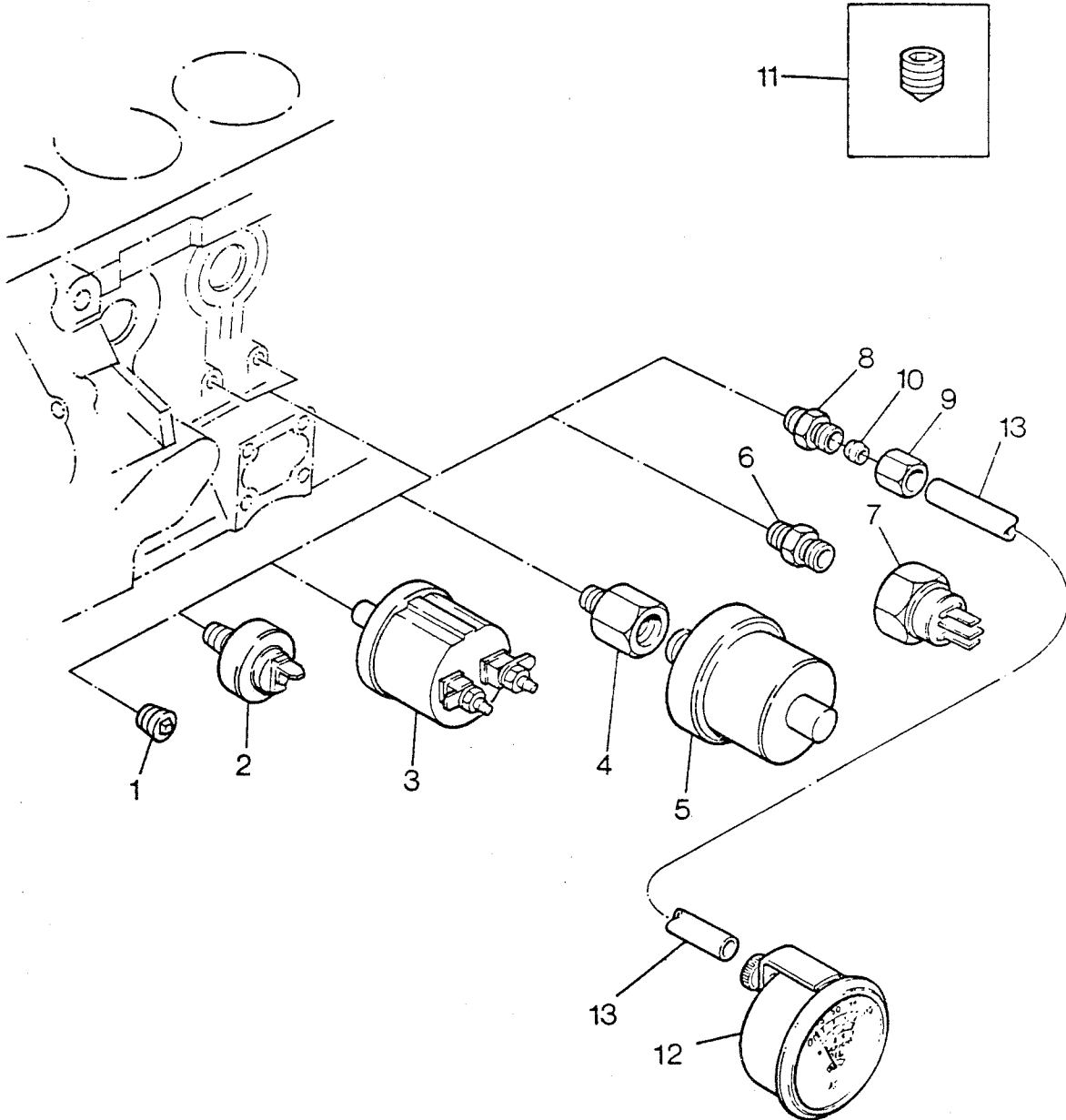


MOUNTINGS (FRONT & REAR)
 SUPPORTS (AV. ET AR.)
 FIJACIONES (DELANTERA Y TRASERA)

1	32114481	1	PLUG	BOUCHON	TAPON ROSCADO
2	32114481	1	PLUG	BOUCHON	TAPON ROSCADO
6	38124242	1	BRACKET	SUPPORT FIXATION	APLIQUE
7	38124243	1	BRACKET	SUPPORT FIXATION	APLIQUE
8	0746254	6	SCREW	VIS	TORNILLO
9	0576002	6	NUT	ECROU	TUERCA
10	0920053	6	WASHER	RONDELLE	ARANDELA
24	NA000349	4	MOUNTS	MONTANT	MONTANTE

* OTHER REFERENCE NOS. NOT APPLICABLE
 NON APPLICABLE POUR LES AUTRES NOS. REPERES
 NO SE APLICAN LOS OTROS NOS. DE REFERENCIA

NAAO ZJHE



ZJHE00013

"A"

LUBRICATING OIL PRESSURE SWITCH & GAUGE
MANO, CONTACT PRESSION D'HUILE ET MANOMETRE
TRANSMISOR E INDICADOR DE LA PRESION

1 0650594

2 PLUG

BOUCHON

TAPON ROSCADO

*

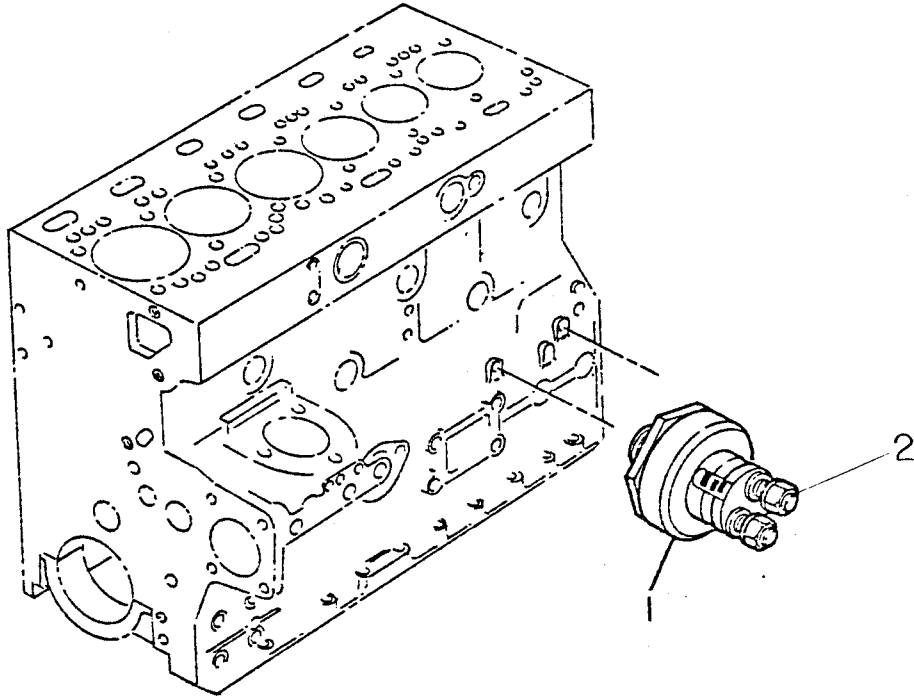
OTHER REFERENCE NOS. NOT APPLICABLE
NON APPLICABLE POUR LES AUTRES NOS. REPERES
NO SE APLICAN LOS OTROS NOS. DE REFERENCIA

 Perkins
engines

LUB. OIL PRESSURE SWITCH & GAUGE

PLATE "NB"

NAAO.ZJHE



ZJNE00010

"NB"

LUBRICATING OIL PRESSURE SWITCH & GAUGE
MANO, CONTACT PRESSION D'HUILE ET MANOMETRE
TRANSMISOR E INDICADOR DE LA PRESION

1	NA001928	A	1	SENDER	EMETTEUR	EMISOR
2	NA000474	A	1	NUT	ECROU	TUERCA

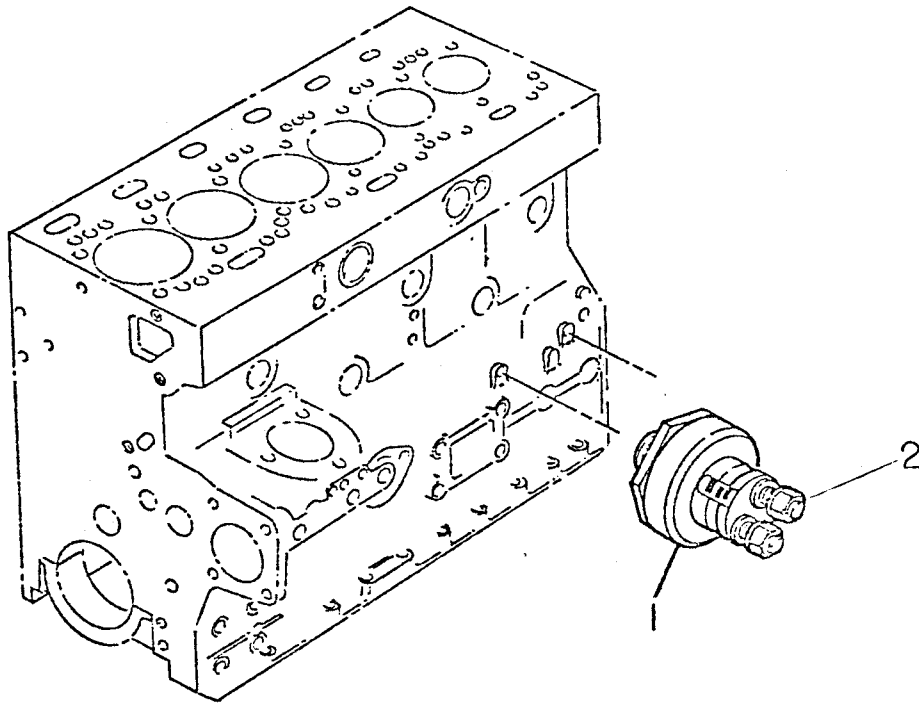
A USED ON OPTION NAA000167
 UTILISER AVEC NAA000167
 USAR CON NAA000167

 Perkins
engines

TEMPERATURE GAUGE & SENDER

PLATE "NB"

NAAO.ZLHE



ZLNE00008

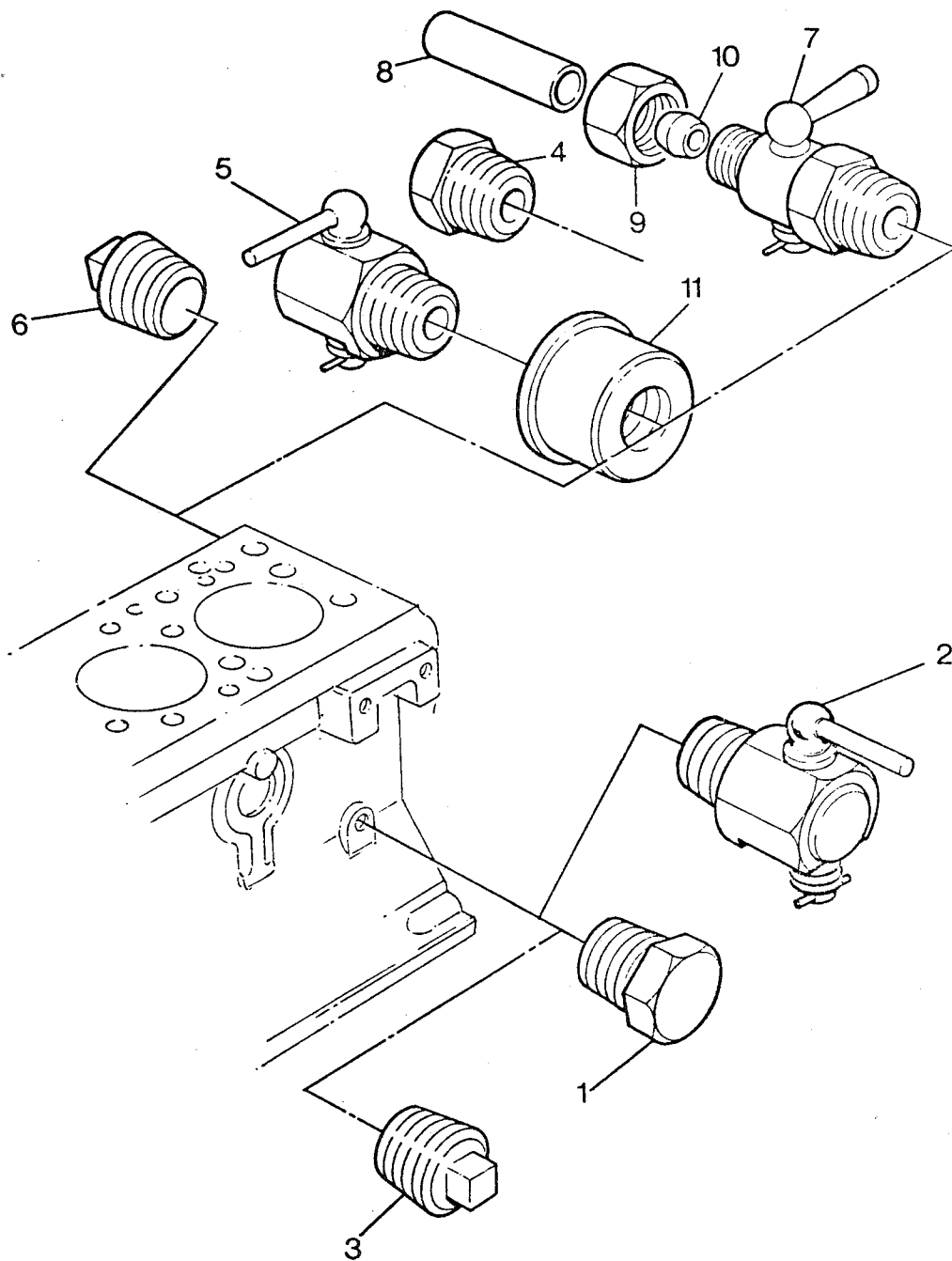
"NB"

TEMPERATURE GAUGE & SENDER
MANOMETRE TEMPERATURE ET TRANSMETTEUR
INDICADOR Y TRANSMISOR DE TEMPERATURA

1	NA005190	A	1	TEMP-SENDER	EMETTEUR	EMISOR
2	NA000474	A	1	NUT	ECROU	TUERCA

A USED ON OPTION NAA000167
 UTILISER AVEC NAA000167
 USAR CON NAA000167

NAAO ZMHE



ZMHE00161

"A"

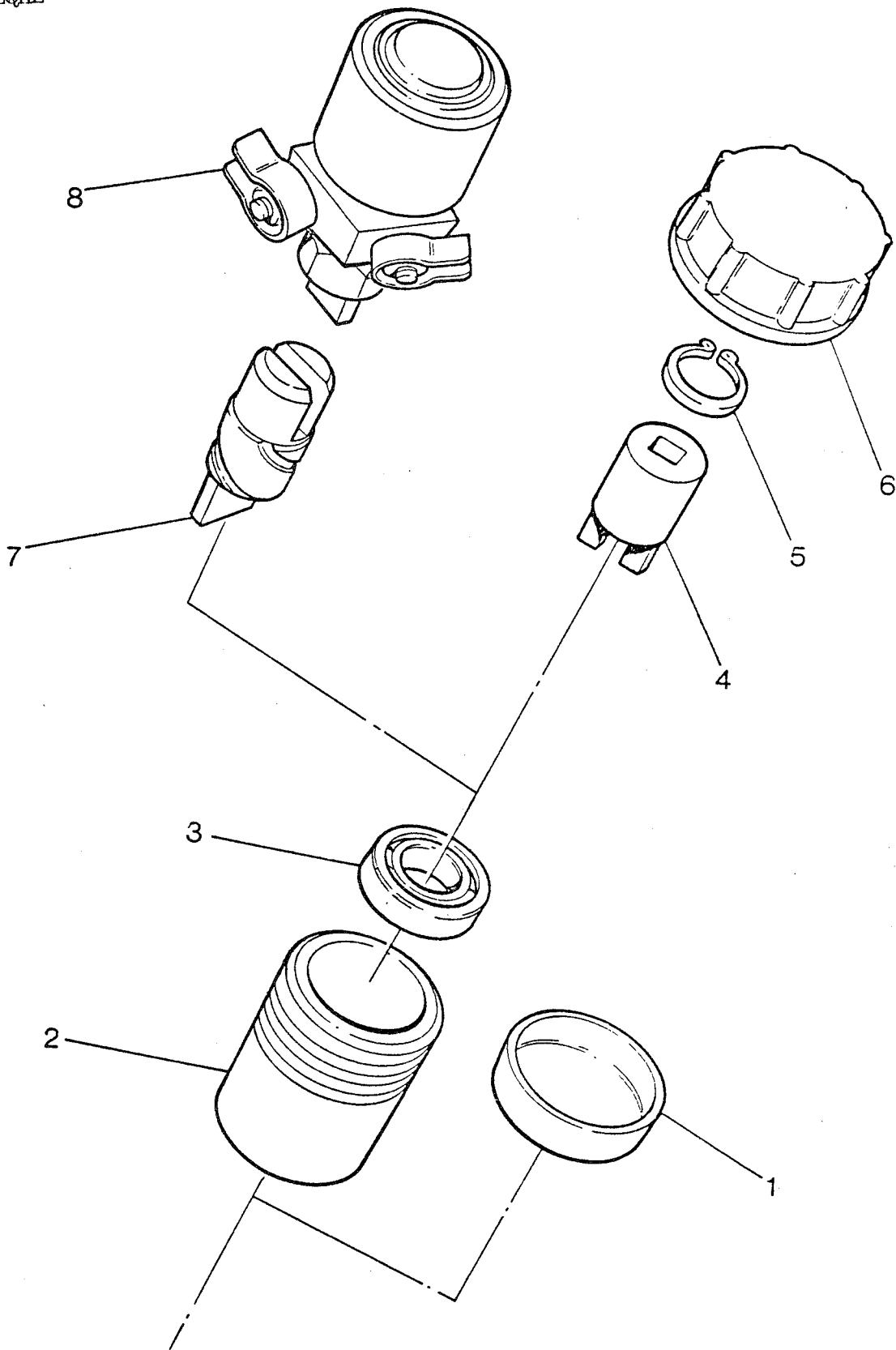
CYLINDER BLOCK WATER DRAIN
BLOC - CYLINDRES ROBINET
BLOQUE - CILINDROS AGUJA ENDICADORA

3	2431102	1	PLUG	BOUCHON	TAPON ROSCADO
7	32351	1	DRAINCOCK	ROBINET	AGUJA INDICADORA
8	33242409	1	PIPE	CANALISATION	TUBERIA
9	0576113	1	NUT	ECROU	TUERCA
10	0566004	1	OLIVE	OLIVE	OLIVA

*

OTHER REFERENCE NOS. NOT APPLICABLE
NON APPLICABLE POUR LES AUTRES NOS. REPERES
NO SE APLICAN LOS OTROS NOS. DE REFERENCIA

NAAO ZQHE



ZQHE00352

"A"

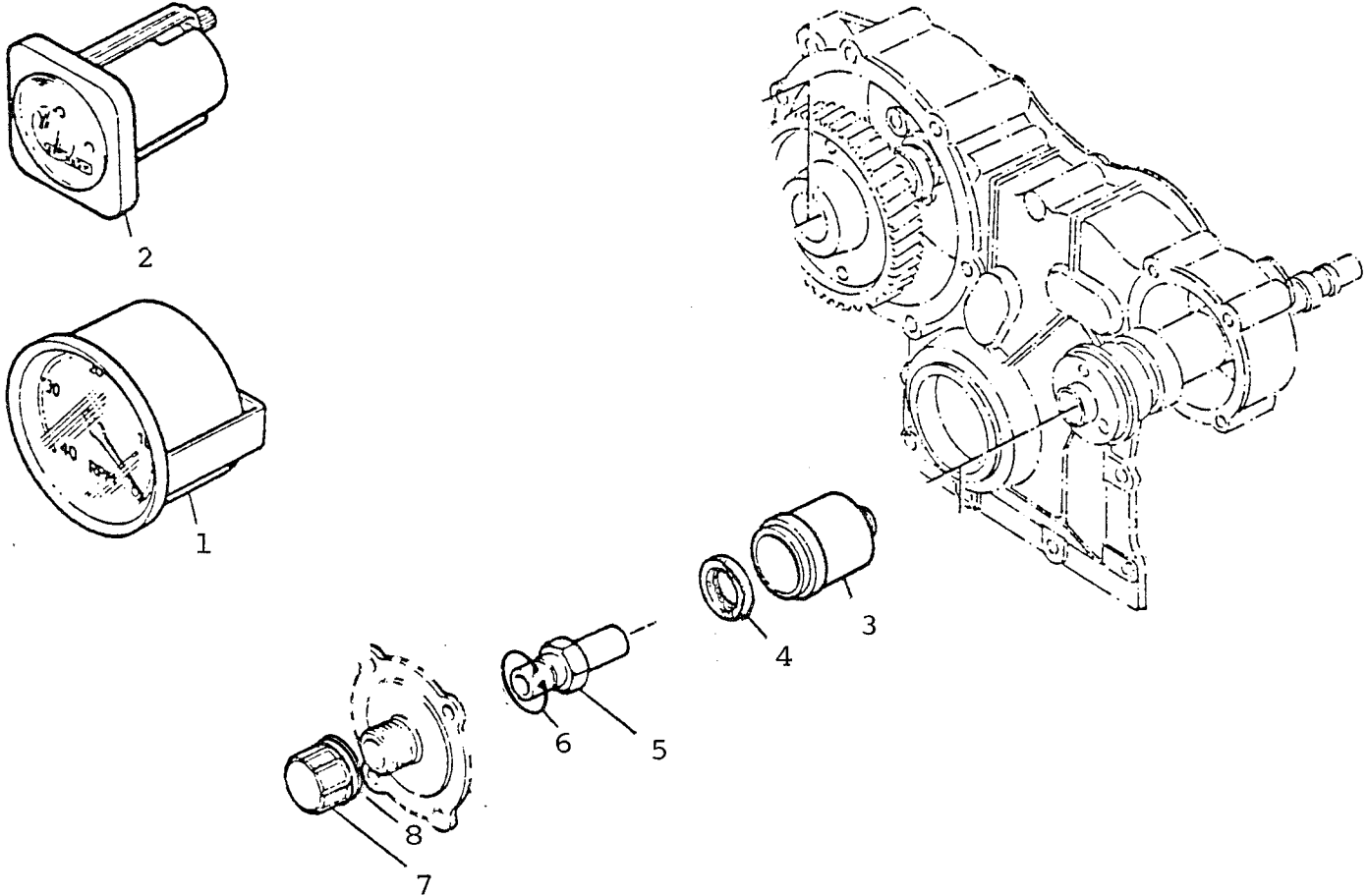
TACHOMETER & HOUR RECORDER
TOURS ET COMPTEUR D'HEURES
TAQUIMETRO Y CONTADOR DE HORAS

2	0770101	1	SLEEVE	MANCHON	MANGON
3	0050358	1	BEARING	COUSSINET	RODAMIENTO
4	33473107	1	SHAFT	ARBRE	PALIER
5	0170052	1	CIRCLIP	SEGMENT D'ARRET	CIRCLIP
6	32417114	1	CAP NUT	ECROU BORGNE	TUERCA CIEGA

*

OTHER REFERENCE NOS. NOT APPLICABLE
NON APPLICABLE POUR LES AUTRES NOS. REPERES
NO SE APLICAN LOS OTROS NOS. DE REFERENCIA

NAAO .ZQHE



ZQNE00013

"NA"

TACHOMETER & HOUR RECORDER
TOURS ET COMPTEUR D'HEURES
TAQUIMETRO Y CONTADOR DE HORAS

1	NA004615	A	1	TACHOMETER	COMPTE TOUR	TACOGRAFO
2	NA000711	B	1	TACH-HOUR METER	COMPTE TOUR	TACOGRAFO
3	0770101	C	1	SLEEVE	MANCHON	MANGON
4	0050358	C	1	BEARING	COUSSINET	RODAMIENTO
5	33473107	C	1	SHAFT	ARBRE	PALIER
6	0170052	C	1	CIRCLIP	SEGMENT D'ARRET	CIRCLIP
7	32417114	C	1	CAP NUT	ECROU BORGNE	TUERCA CIEGA
8	32811104	C	1	WASHER	RONDELLE	ARANDELA

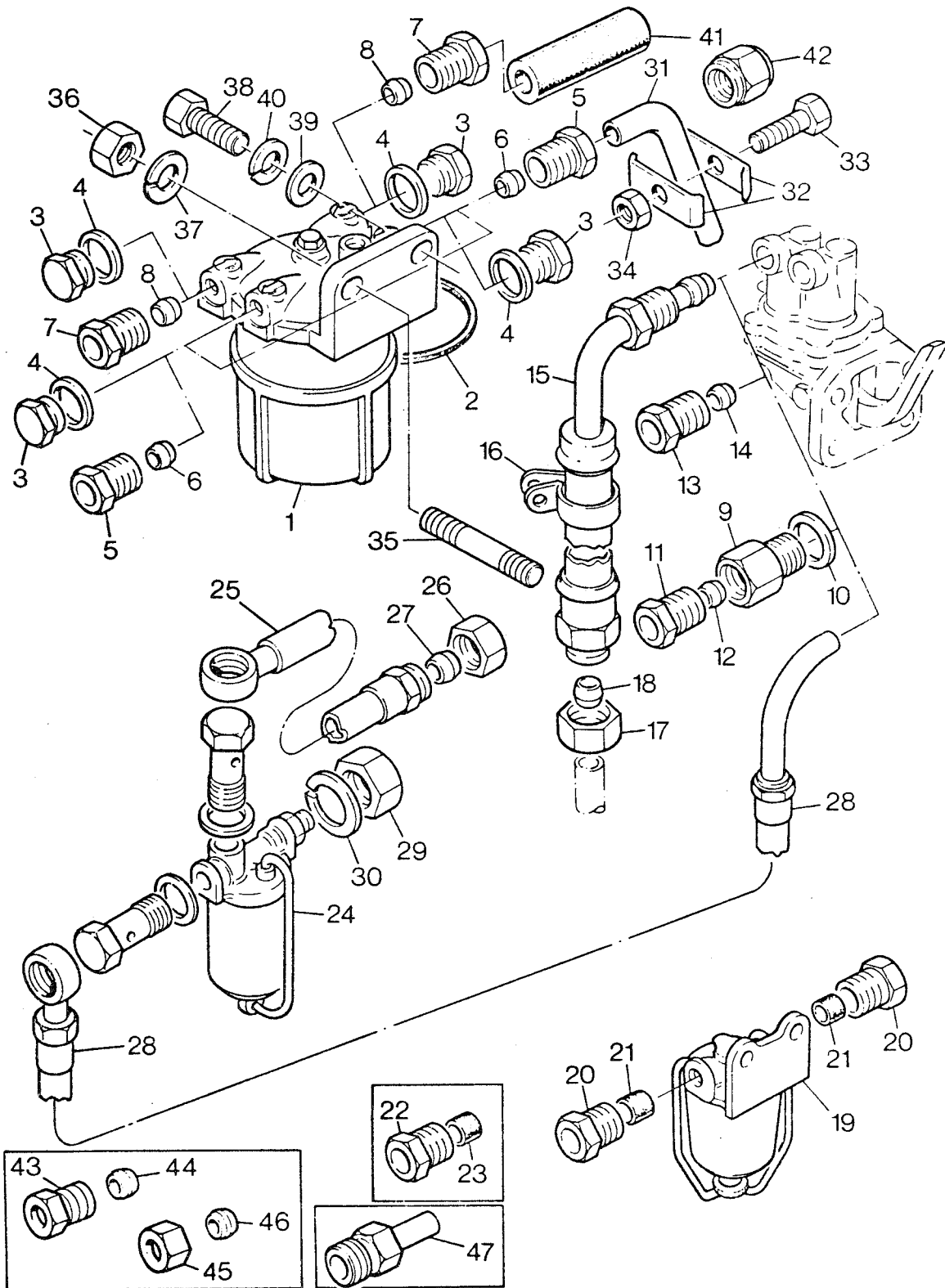
A USED ON OPTION NAA000060
 UTILISER AVEC NAA000060
 USAR CON NAA000060

B USED ON OPTION NAA000061
 UTILISER AVEC NAA000061
 USAR CON NAA000061

C USED ON OPTION NAT000018
 UTILISER AVEC NAT000018
 USAR CON NAT000018

NAAO

ZVHE



ZVHE00194

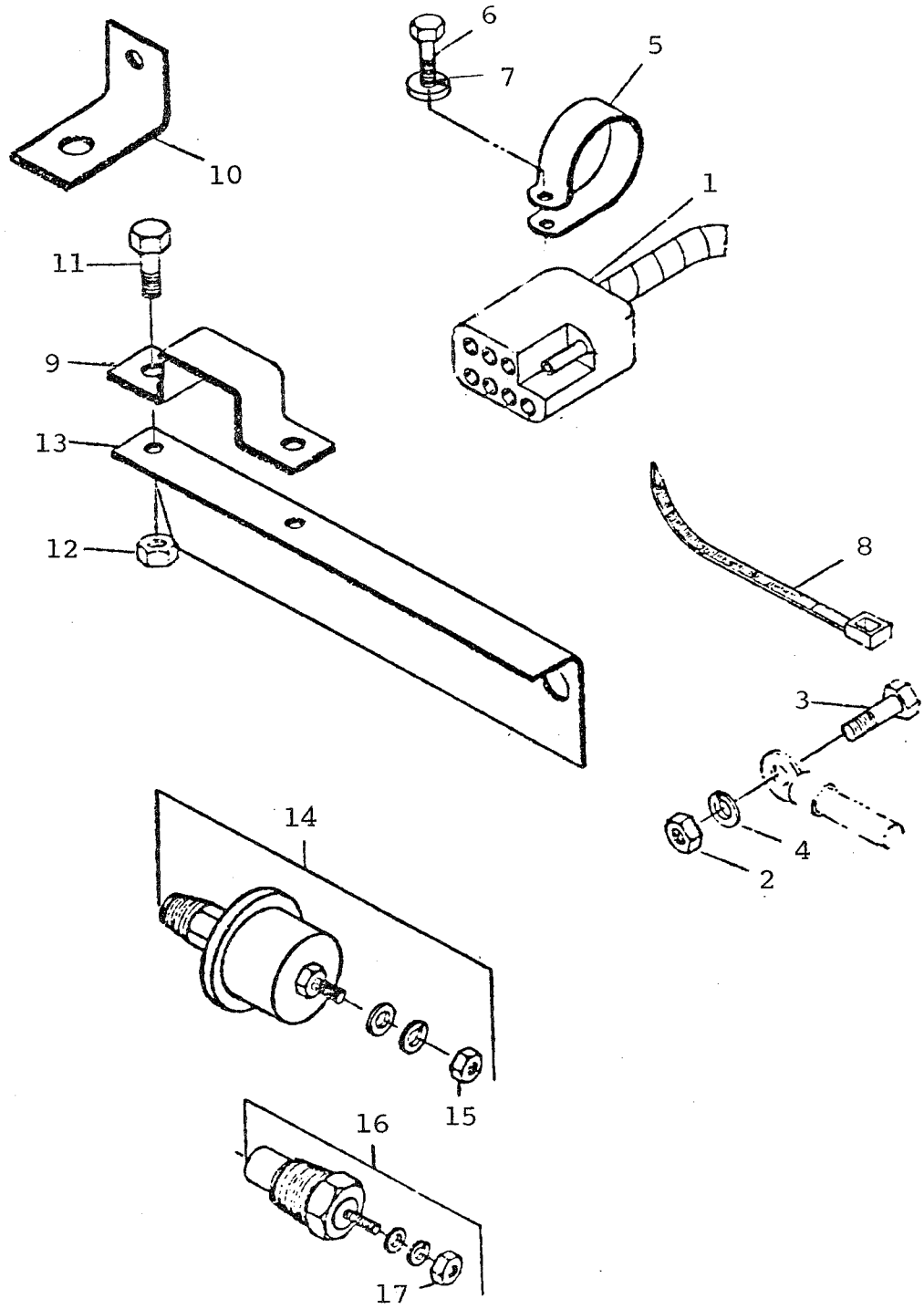
"A"

FUEL PRE-LIFT PUMP
 CIRCUIT CARBURANT AVANT LA POMPE D'ALIMENTATION
 BOMBA PRE-ELEVADORA DE COMBUSTIBLE (SEPERADOR DE AGUA)

1	2656088		1	PRE-FILTER	FILTRE	FILTRO
2	0490786	1	2	SEAL	BAGUE ETANCHEITE	RETEN
3	0650204		2	PLUG	BOUCHON	TAPON ROSCADO
4	0920154		2	WASHER	RONDELLE	ARANDELA
5	33533112		1	NUT	ECROU	TUERCA
6	0566003		1	OLIVE	OLIVE	OLIVA
7	33533112		1	NUT	ECROU	TUERCA
8	0566003		1	OLIVE	OLIVE	OLIVA
9	2658201		1	VALVE	SOUPAPE	VALVULA
10	2411141		1	WASHER	RONDELLE	ARANDELA
11	33533112		1	NUT	ECROU	TUERCA
12	0566003		1	OLIVE	OLIVE	OLIVA
41	0200758		1	CONNECTION	CONNEXION	VARILLA CONEX
42	0571138		2	NUT	ECROU	TUERCA

* OTHER REFERENCE NOS. NOT APPLICABLE
 NON APPLICABLE POUR LES AUTRES NOS. REPERES
 NO SE APLICAN LOS OTROS NOS. DE REFERENCIA

NAAO.ZZHE



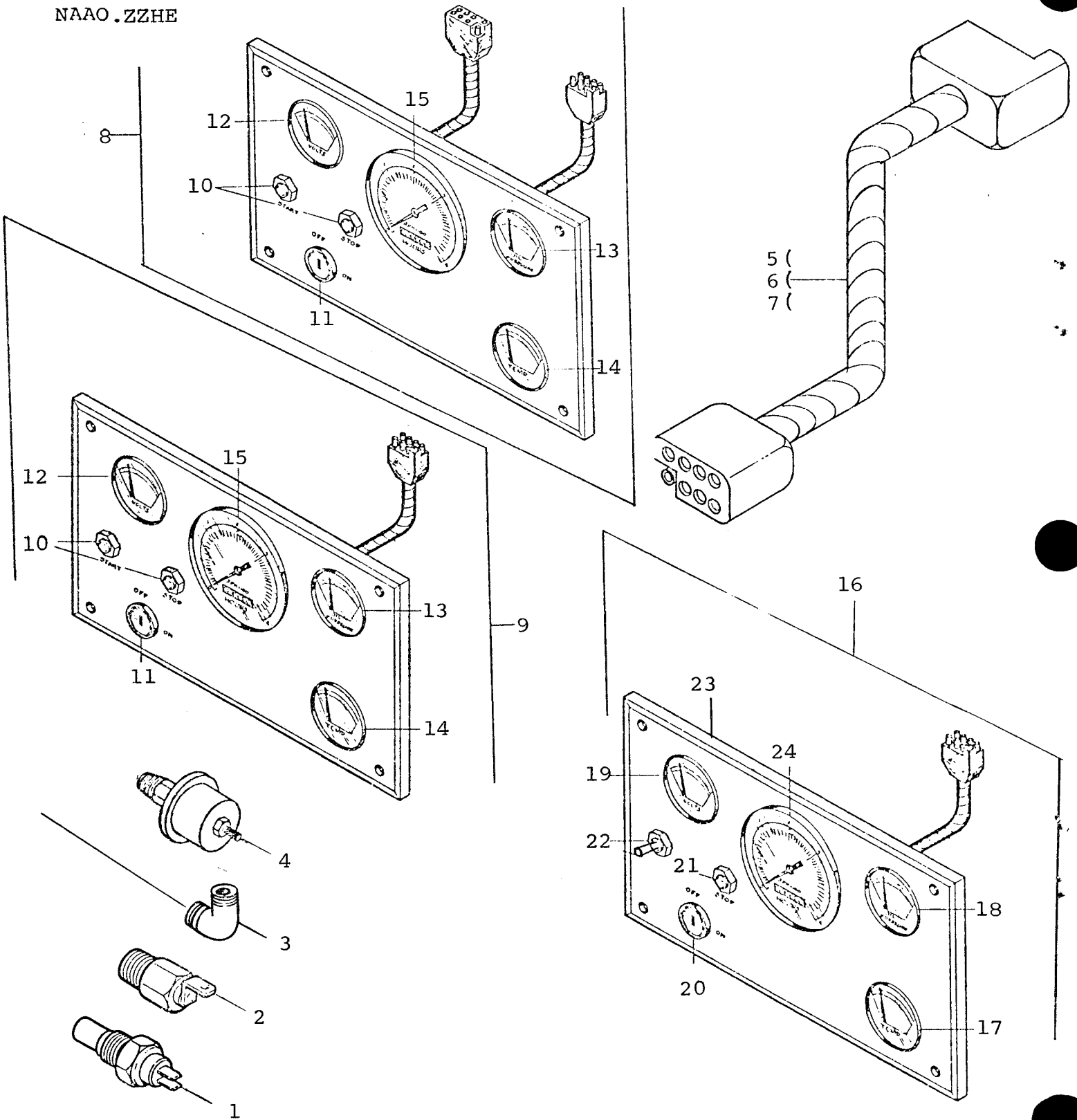
ZZNE00006

"NA"

APPLICATIONS MISCELLANEOUS (WIRING HARNESS KIT)
APPLICITONS DIVERSES (SYSTEM CABLAGE)
EQUIPO MISCELANEO Y AUXILIAR (SISTEMA DE CABLE)

1	NA004854	1	WIRING HARNESS	SYSTEM CABLAGE	SISTEMA DE CABLE
2	NA000475	1	NUT	ECROU	TUERCA
3	0748411	1	SCREW	VIS	TORNILLO
4	0920053	1	WASHER	RONDELLE	ARANDELA
5	NA003607	1	CLIP	CIRCLIP	CRAPA
6	NA004113	1	SCREW	VIS	TORNILLO
7	0920022	1	WASHER	RONDELLE	ARANDELA
8	NA003469	3	TY-RAP	ATTACHE	UNION
9	NA003442	1	BRACKET	SUPPORT FIXATION	APLIQUE
10	NA003443	1	CLIP	CIRCLIP	CRAPA
11	2182003	2	SCREW	VIS	TORNILLO
12	NA003765	2	NUT	ECROU	TUERCA
13	NA003615	1	CLIP	CIRCLIP	CRAPA
14	NA000208	1	TRANSMITTER	TRANSMETTEUR	TRANSMISOR
15	NA000474	1	NUT	ECROU	TUERCA
16	NA000209	1	TRANSMITTER	TRANSMETTEUR	TRANSMISOR
17	NA000474	1	NUT	ECROU	TUERCA

NAAO.ZZHE



APPLICATIONS MISCELLANEOUS
 APPLICITONS DIVERSES
 EQUIPO MISCELANEO Y AUXILIAR

1	NA002054	A	1 SWITCH	CONTACTEUR	INTERRUPTOR
2	NA004609	B	1 SWITCH	CONTACTEUR	INTERRUPTOR
3	NA001486	A-B	1 ELBOW	COUDE	CODO
4	NA001924	A-B	1 SWITCH	CONTACTEUR	INTERRUPTOR
5	NA004847	C 10 FT.	1 HARNESS	FAISCEAU	MAZO CABLES
6	NA004848	D 20 FT.	1 HARNESS	FAISCEAU	MAZO CABLES
7	NA004849	E 30 FT.	1 HARNESS	FAISCEAU	MAZO CABLES
8	NA004843	F	1 PANEL	PANNEAU	PANEL
9	NA004844	G	1 PANEL	PANNEAU	PANEL

A UP TO ENGINE NO. 108U107098 - OPTION NAA000189
 JUSQU'AU MOTEUR NO. 108U107098 ET NAA000189
 HASTA EL MOTOR NO. 108U107098 Y NAA000189

B FROM ENGINE NO. 108U107099 - OPTION NAA000204
 A PARTIR DU MOTEUR NO. 108U107099 ET NAA000204
 DESDE EL MOTOR NO. 108U107099 Y NAA000204

C USED ON OPTION NAA000220
 UTILISER AVEC NAA000220
 USAR CON NAA000220

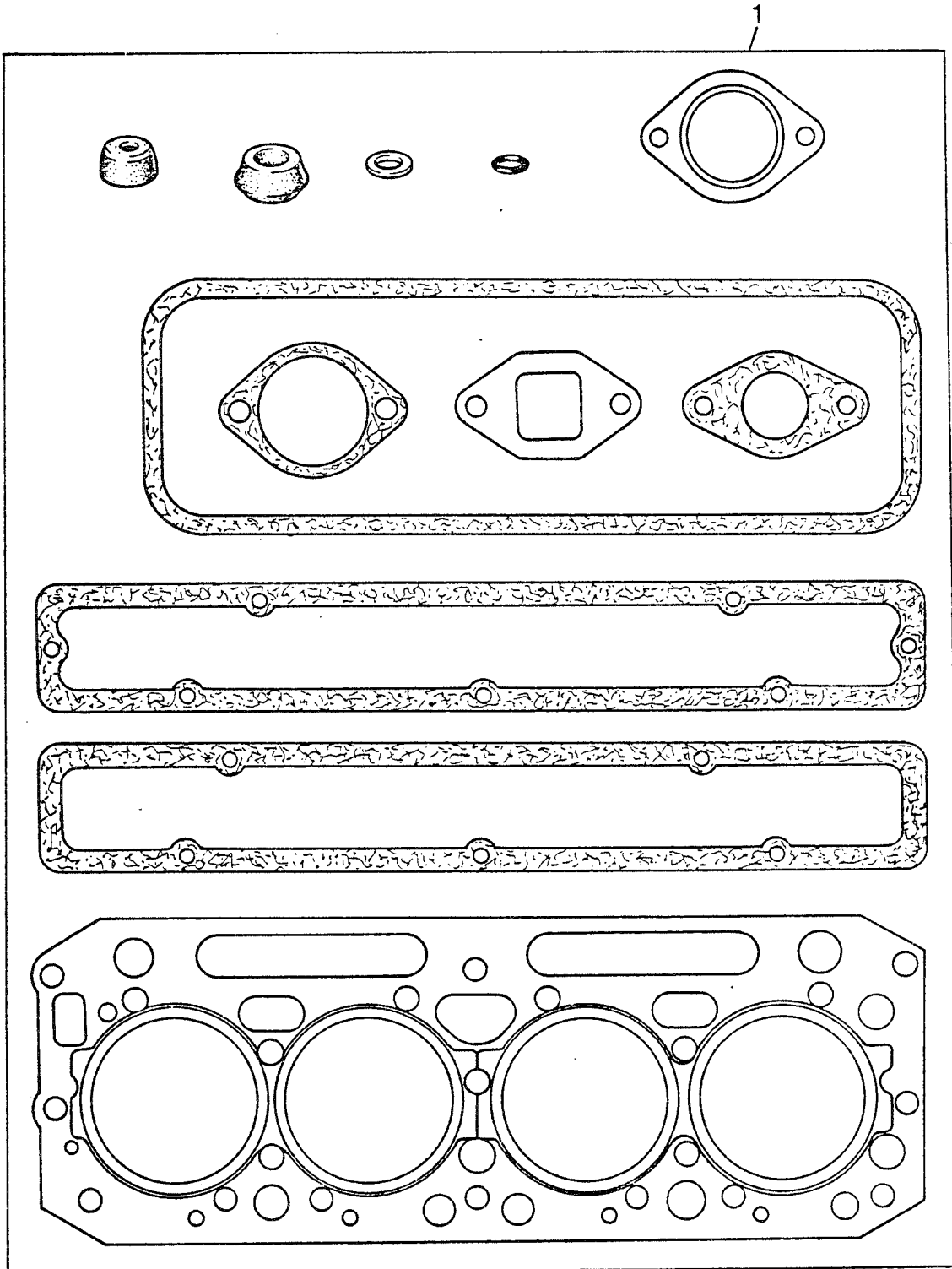
D USED ON OPTION NAA000221
 UTILISER AVEC NAA000221
 USAR CON NAA000221

E USED ON OPTION NAA000222
 UTILISER AVEC NAA000222
 USAR CON NAA000222

F USED ON OPTION NAA000223
 UTILISER AVEC NAA000223
 USAR CON NAA000223

G USED ON OPTION NAA000224
 UTILISER AVEC NAA000224
 USAR CON NAA000224

NAAO SACE



SACE00032

"A"

JOINTS & GASKETS - TOP SERVICE KIT
JEU DE JOINTS - REVISION PARTIE HAUTE
JUNTAS Y EMPAQUETADURAS - JUEGOS DE SERVICIO DE CULATA

1 85786

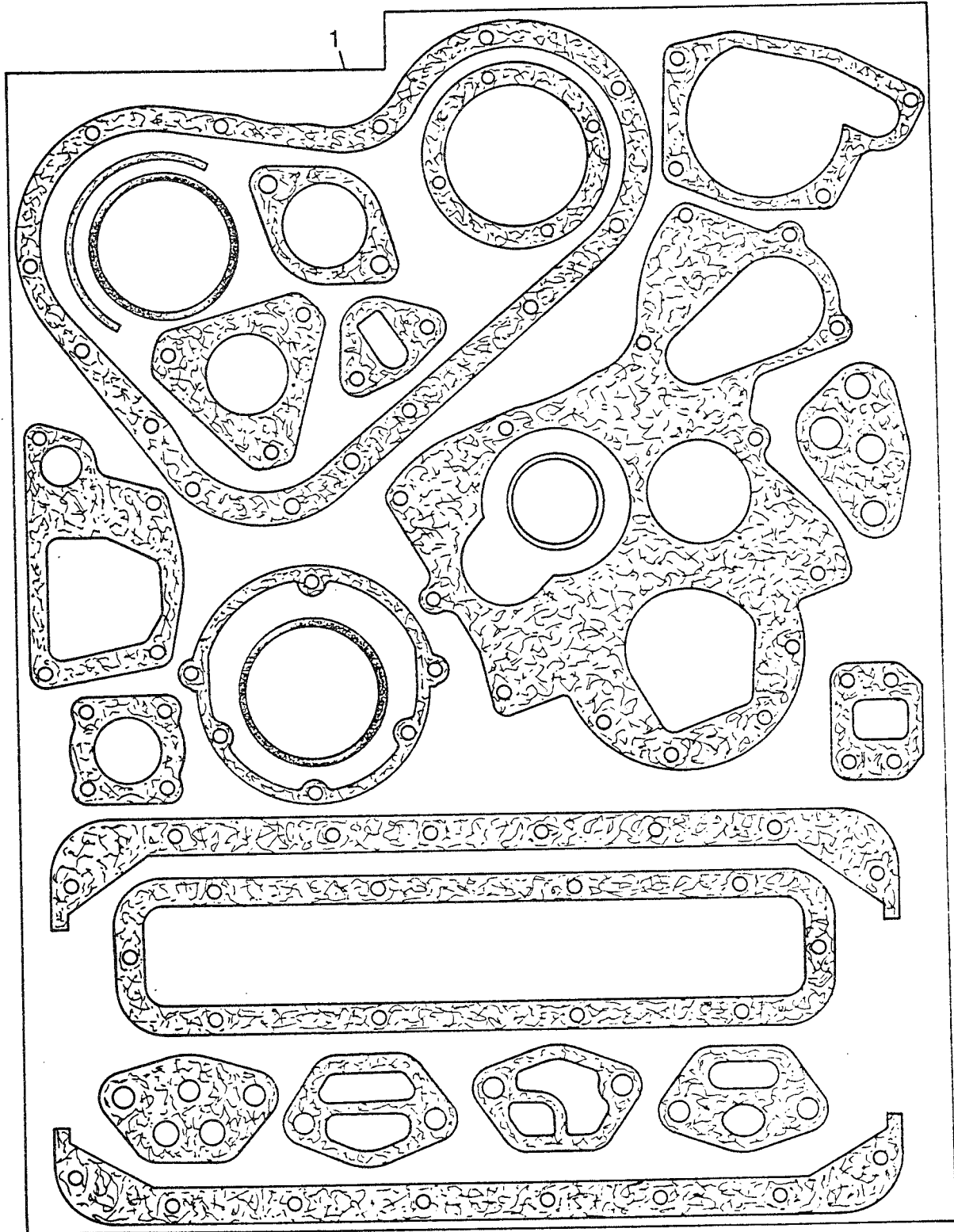
X GASKET SET

JOINTS-JEU

JUEGO JUNTAS

NAAO

SCBE



SGBE00030

"A"

JOINTS & GASKETS - BOTTOM SERVICE KIT
JEU DE JOINTS-REVISION PARTIE BASSE
JUNTAS Y EMPAQUETADURAS-JUEGO DE SERVICIO DEL BLOQUE

1 92454

X GASKET SET

JOINTS-JEU

JUEGO JUNTAS

PERKINS PARTS
for
PERKINS PRODUCTS